

ServiceLine

The Official Publication of the South Dakota Association of Rural Water Systems

**NEW INFRASTRUCTURE
PLAN IN THE WORKS**

**NRWA AFFINITY
PROGRAMS**

**A DAY IN THE LIFE OF A
CIRCUIT RIDER**

**PERISTALTIC VS.
DIAPHRAGM
METERING PUMPS**



Reimagine your
water solutions.

Evolved.

When you are using water, you don't usually think about where it comes from. That's how it should be. Smart management of a precious resource. It's second nature at KLJ.

KLJENG.COM



ENGINEERING, REIMAGINED



IN THIS ISSUE



- 5** From the SDARWS President
- 7** Operator Certification Training Classes and Exam Dates
- 9** SDARWS Staff Directory
- 11** SDARWS Membership Corner
- 13** Big Sioux Water Festival
- 14** 2019 West River EXPO Recap
- 16** 4th Annual Fishing Tournament Held
- 19** 2019 Rural Water Open Information
- 22** Golf Tournament Sponsorships
- 23** Photos From the Field
- 25** Pepsi Vs. Coke - Which is Better
- 27** A Day in the Life of a Circuit Rider - Jeff Fossum
- 29** Certification Questions
- 31** New Infrastructure Plan in the Works
- 33** Assistance Provided at Dry Creek Estates
- 34** From the Executive Director

CORPORATE SPONSORS OF SDARWS

Howalt+McDowell Insurance, Inc.
 Risk Administration Services
 Dakota Pump & Control
 Dakota Supply Group
 Treatment Resources, Inc.
 Banner Associates
 Bartlett & West, Inc.
 DGR Engineering
 Maguire Iron, Inc.
 Core and Main
 Dakota Pump Inc.
 CoBank
 Milbank WinWater
 AE₂S

Cover Photo: South Dakota Capitol Building at Sunset. Photo credit iStock.com.

ServiceLine is published bi-monthly by the South Dakota Association of Rural Water Systems. The contents of this publication may not be reproduced by any means, in whole or in part, without the prior written consent of SDARWS. SDARWS reserves the right to reject or edit any manuscripts received for publication. All submissions become the property of the South Dakota Association of Rural Water Systems unless otherwise specifically stated in this publication. Statements of fact and opinion are the responsibility of the authors alone and do not imply an opinion on the part of the South Dakota Association of Rural Water Systems. Advertisements and editorials do not represent official policies of the Association. Acceptance of advertising by SDARWS does not constitute endorsement of the advertiser, its products or services, nor does SDARWS make any claims or guarantees as to the accuracy or validity of advertisers' claims.

To submit editorial or advertising content, or to update your mailing information, please contact Jennifer Bame at 605-556-7219 or email jbame@sdarws.com.

SOUTH DAKOTA ASSOCIATION OF RURAL WATER SYSTEMS
 P.O. Box 287, Madison, SD 57042 • Phone 605-556-7219, Fax 605.556.1497 • email: info@sdarws.com • www.sdarws.com
 Copyright 2019



Providing water and wastewater services for more than a century.

▷ 431 N. Phillips Ave, Suite 400
Sioux Falls, South Dakota 57104-5933
Phone 605.334.4499

▷ HRGREEN.COM

TRANSPORTATION + WATER + GOVERNMENTAL SERVICES
LAND DEVELOPMENT + ENVIRONMENTAL + CONSTRUCTION



S. Hwy. 15 • P.O. Box 350
Milbank, SD 57252
1-800-743-2972
Fax 605-432-5447

*Large enough to handle any job,
but small enough to care about yours.*

- WATER PRODUCTS
- INDUSTRIAL PIPING
- WATER METER SYSTEMS
- PUMP SYSTEMS
- GEO TEXTILE FABRIC
- ROAD CASTINGS



FROM THE SDARWS PRESIDENT

RON GILLEN, SDARWS PRESIDENT

NRWA IN-SERVICE

In June, most of the Association staff traveled to Fort Lauderdale, FL for the National Rural Water In-Service Training. At In-Service, rural water professionals from around the nation gather together to train and discuss their work with others in their peer group. The goal of in-service is to learn about new techniques unique to each position, share expertise, and learn about new funding sources. If you see our guys around, ask them what new things they've learned.

GOLF TOURNAMENT

Join us on July 16th for the 33rd Annual SDARWS 4-Person Scramble Golf Tournament at Elmwood in Sioux Falls. The tournament is a great opportunity to gather together with other Rural Water folks for a day of camaraderie and fun. You can register your four-person team online at tinyurl.com/SDARWSGOLF. All golfers need to be registered at the course

by 8:30 am. Shotgun start is at 9:00 am. You can find more information on pages 19-20. We hope to see you on the course!

WATER PRO

It isn't too early to start thinking about attending this year's WaterPro Conference in Nashville, TN September 9-11, 2019. NRWA puts on a fantastic show which brings in hundreds of vendors and hosts informative training sessions in operations, management, boardmanship and governance for those involved in water and wastewater utility systems – large and small, municipal and rural. WaterPro features expert speakers from across the water/wastewater industry. Want to hear about new USDA projects or EPA priorities? You can find out at the WaterPro Conference. The WaterPro exhibit hall is filled with vendors and service-providers dedicated to offering high-quality solutions for small and rural water utilities. Find out about all the best solutions for rural water today and tomorrow. For more information on this conference, including registration and hotel reservations, please visit waterproconference.org. 💧

WaterPro[®]

Conference NASHVILLE

SEPTEMBER 9-11, 2019

Gaylord Opryland Event & Convention Center
NASHVILLE, TENNESSEE

For Registration and Important
Information, Please Visit:

WATERPROCONFERENCE.ORG

The Annual Conference of the
National Rural Water Association

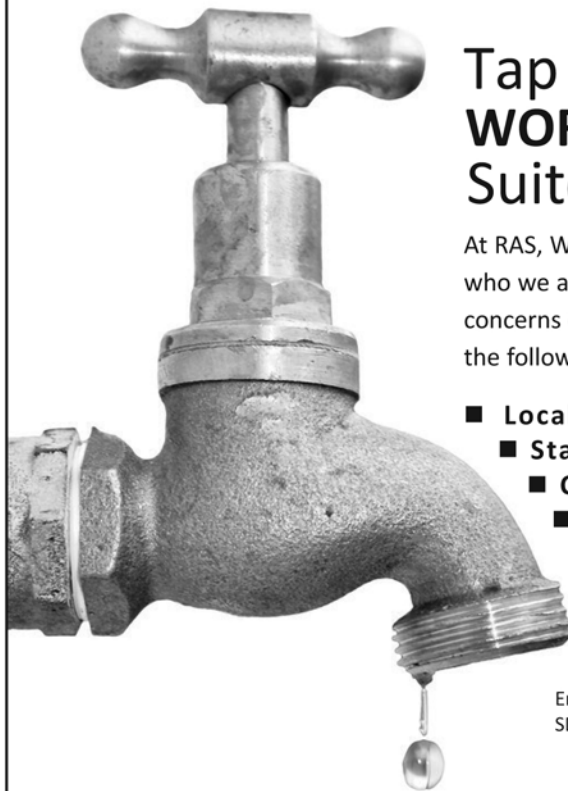


Bridging the gap
between idea +
achievement



Sioux Falls 605.977.7740
Rapid City 605.791.6100

hdrinc.com



Tap into a **WORKERS' COMPENSATION PROGRAM** Suited for You

At RAS, Workers' Compensation is our primary focus. It's what we do, and who we are. We have the knowledge and experience to address specific concerns or situations. We cover businesses across the spectrum and offer the following services:

- Local Claims and Case Management
- Stay at Work/Return to Work Assistance
- Cost Containment Services
- Loss Prevention and Training

For more information contact our association agency partner,
Jack Miller, Howalt+McDowell Insurance Agency at 800.584.7054.

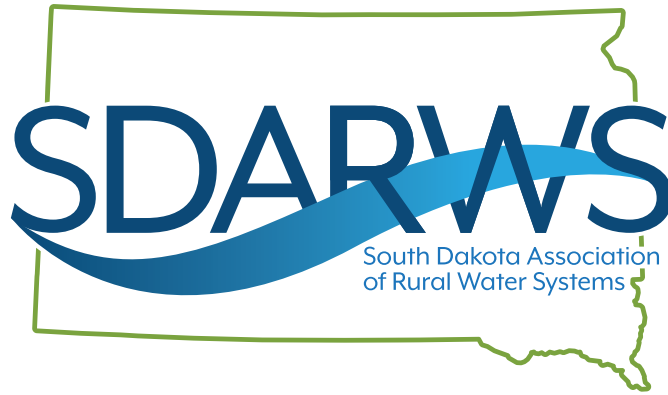
Endorsed Workers' Compensation carrier for the
SD Rural Water Association for over 10 years.



RISK ADMINISTRATION SERVICES, INC.

WORKERS' COMPENSATION.
Our Focus. Your Opportunity.SM

www.rascompanies.com
1.800.732.1486



OPERATOR CERTIFICATION TRAINING AND EXAMS

Course	Date	Location
OpCert Exam	June 4-12:30 pm	Pierre-Matthew Center
OpCert Exam	June 6-1:00 pm	Rapid City-Ramkota Inn Sheridan Room
Basic Water Treatment	July 9-11	Huron-Crossroads/Events Center
OpCert Exam	July 11-1:00 pm	Huron-Crossroads
Wastewater Collection	August 6-8	Aberdeen-Ramkota
OpCert Exam	August 8-1:00 pm	Aberdeen-Ramkota
Water Distribution	August 20-22	Watertown-Ramkota/Events Center
OpCert Exam	August 22-1:00 pm	Watertown-Ramkota/Events Center
Intermediate Water Treatment	September 24-26	Rapid City-Ramkota
Stabilization Pond Workshop*	October 1	Aberdeen-Ramkota
Stabilization Pond Workshop*	October 3	Mitchell-Highland Conference Center
Basic Water Treatment	October 22-24	Rapid City-Ramkota
Water Distribution	November 5-7	Brookings-Days Inn
Wastewater Collection	December 3-5	Sioux Falls-Ramkota Inn

CONTACT HOUR REQUIREMENTS

Number and Type of Certificates	Contact Hours Required
Operator has one certificate (Class I or II).....	10 contact hours every three years
Operator has one certificate (Class III or IV)	20 contact hours every three years
Operator has more than one certificate and all are Class I and II.....	15 contact hours every three years
Operator has more than one certificate and at least one certificate is a Class III or IV	30 contact hours every three years

For more information contact SDARWS Trainer Jim Zeck
605-201-9568 or jzeck@sdarws.com

REGISTER FOR CLASSES ONLINE: go.activecalendar.com/sdarws

engineering
a better
community

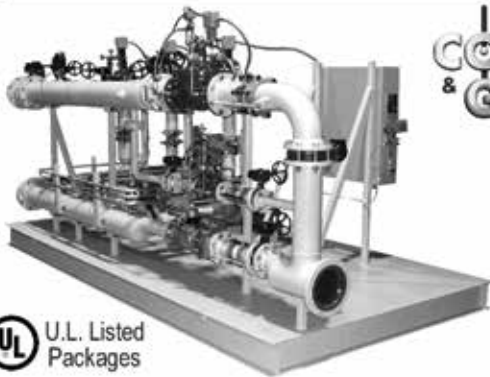
water | wastewater

Mni Wasté Water Supply Project | Cheyenne River Sioux Reservation | North Central SD

Brookings | Sioux Falls | Vermillion | Rapid City | Milbank
605.692.6342 | Toll Free 1.855.323.6342
www.bannerassociates.com

BANNER
engineering a better community

DAKOTA PUMP INC.



CONNECT
& **GO** Technology

UL U.L. Listed
Packages

Sewage Pump Stations

Wet Well Mounted Lift Stations
Flooded Suction Lift Stations
Self-Priming Lift Stations
Obround Package Pump Stations



The Total Solution

Water Pump Stations

Modular Water Booster Stations
Grade Mounted Water Booster Stations
Water Booster Pump Stations
Water Control Vaults

Why Prefabricated?

Fully factory tested
Ease of installation
Simplified design
Single source responsibility



Dakota Pump Offices:

po box 947 ~ 25524 413th Ave ~ Mitchell, SD 57301 ~
ph.605.996.6636 ~ fax. 605.996.6067 ~ dakotapump.com



SDARWS STAFF DIRECTORY



KURT PFEIFLE

Executive Director

kpfeifle@sdarws.com
605-204-0125



NICK JACKSON

*Technical Assistance
Training Specialist*

njackson@sdarws.com
605-641-4557



JIM ZECK

Training Specialist

jzeck@sdarws.com
605-201-9568



MIKE MOELLER

*Technical Assistance
Training Specialist*

mmoeller@sdarws.com
605-270-4989



STEVE ATTEMA

Training Specialist

sattema@sdarws.com
605-270-1766



BRANT AGER

West River Circuit Rider

bager@sdarws.com
605-641-1923



JEREMIAH CORBIN

*Source Water Protection
Specialist*

jcorbin@sdarws.com
605-270-3894



GREG GROSS

East River Circuit Rider

ggross@sdarws.com
605-201-6026



ROBYN BROTHERS

Office Manager

rbrothers@sdarws.com
605-556-7219



JEFF FOSSUM

East River Circuit Rider

jfossun@sdarws.com
605-201-9561



JENNIFER BAME

*Communications &
Marketing Coordinator*

jbame@sdarws.com
605-556-7219



BILL THORSON

*East River Wastewater
Technician*

bthorson@sdarws.com
605-201-0170



ABBEY LARSON

*West River Wastewater
Technician*

alarson@sdarws.com
605-645-6488

Chemicals, Equipment and Service for
Safe, Clean Water



www.hawkinsinc.com

Water Treatment

- Potable Water
- Raw Water Clarification
- Swimming Pools
- Boiler & Cooling Systems
- Wastewater
- Waste De-Watering
- Waste Settling Aids
- Collection Systems

Equipment:

- Chemical Injection Pumps
- Control and Monitoring Systems
- Chlorination Control Systems
- Chemical Feed Equipment

Black Hawk, SD
 605.787.6881

Fargo, ND
 701.293.9618

Sioux Falls, SD
 605.368.5793

Washburn, ND
 701.462.8588

SPN & ASSOCIATES

ENGINEERS SURVEYORS GIS SERVICES

Schmucker, Paul, Nohr and Associates

2100 N. Sanborn Blvd – PO Box 398
 Mitchell, SD 57301
 Phone (605) 996-7761
 FAX (605) 996-0015
www.spn-assoc.com

Water • Wastewater • Storm Water • Streets
 Airports • Solid Waste • Animal Waste
 Land Surveying • Site Development
 Geographic Information Systems (GIS)



**ENGINEERING EXCELLENCE
 SINCE 1961**

SDARWS MEMBERSHIP CORNER



WaterPro
Conference

SEPT. 9-11, 2019
GAYLORD OPRYLAND RESORT & CONVENTION CENTER
NASHVILLE, TN

FOR MORE INFORMATION:
WATERPROCONFERENCE.ORG

WHAT MAKES A WATERPRO COMMITMENT LEADERSHIP PROFESSIONALISM EXPERIENCE

Water-related terms on the guitar graphic include: SAND FILTRATION, CORROSION, WATERSHED, VALVES, FITTINGS, PUMPS, TANKS, SYSTEM OPERATIONS SPECIALISTS, DISINFECTION, GOVERNANCE, SOURCE WATER, EMERGENCY RESPONSE, LARGE & SMALL SYSTEMS, GROUND WATER, H₂O, SAND FILTRATION, SENSORS, BOARDSMANSHIP.

WE LOVE GETTING MAIL!

Please send us your letters of support!

The hard work of dedicated SDARWS employees helps South Dakota's rural water and wastewater systems to have safe, reliable and quality water. SDARWS asks for your letters of appreciation in return for our on-site assistance. These letters are used to help obtain funding to continue these programs.

Please submit letters via email to: info@sdarws.com or by mail to: South Dakota Rural Water, PO Box 287, Madison, SD 57042

ARE YOU ON OUR EMAIL LIST?

Don't miss out on event details, training updates, job postings and other important information!

Email info@sdarws.com to be added to our list.



LIKE US ON FACEBOOK
@SDRuralWater
to see event pictures
and updates on SDARWS

When It Comes To Waterworks, There Can Be A Lot Of Pressure.



WATERWORKS



To succeed, you need a partner that makes your job easier. With Dakota Supply Group, you get more than just pipe and products:

- ▶ Contact us today to learn more about how we can help you.

DSG
DAKOTA SUPPLY GROUP
For all the right connections!

FARGO, ND ▶ [800] 342-4676
 BISMARCK, ND ▶ [855] 337-9258
 SIOUX FALLS, SD ▶ [800] 660-5531
 RAPID CITY, SD ▶ [800] 660-5538
 BURNSVILLE, MN ▶ [800] 325-0514

www.dakotasupplygroup.com

A SUPERIOR WEBSITE FOR YOUR TOWN OR WATER SYSTEM IS NOW EASY & AFFORDABLE!

Municipal Impact and Rural Water Impact provide beautiful, mobile-friendly websites for towns and Water Systems – all at a very affordable price. Kick back while we do all the work and setup, then make updates yourself anytime you want. Secure hosting and unlimited support are included, too. You'll never hire an expensive web designer again!



MunicipalImpact.com
Smart Websites for Smart Communities™



RuralWaterImpact.com
Smart Websites for Smart Water Systems™



“We’re the Website People!”

For pricing and information, visit us online at www.municipalimpact.com or www.ruralwaterimpact.com
 Or call us today at 1.800.551.4815.



BIG SIOUX WATER FESTIVAL



**By Jeremiah Corbin,
SDARWS Source Water
Protection Specialist**

The Big Sioux Water Festival enjoyed its 27th year of education and entertainment on May 7 at the South Dakota State University Campus in Brookings. The festival included a mix of 24 outdoor and classroom educational presentations with over 20 hands-on exhibit hall displays in the Volstroff Ballroom, located in the Student Union.

Around 1,100 area fourth grade students attended the event that covered a full gambit of water-related topics. Each session lasted 30 minutes, with six sessions occurring from 9:45 am to 2:00 pm.

The Big Sioux Water Festival is an educational event where area children learn about water. This precious resource is a central factor in all aspects of our lives. The goal of the festival is to increase awareness of the many impacts of water and to preserve its quality for environmental health and future generations. The festival focuses on educating 4th graders as they can understand the topics being presented and are at a critical stage of development for adopting positive environmental behavior habits.

Water Festivals such as the Big Sioux Water Festival allows water professionals to reach out to children and reinforce the importance of activities that conserve and protect our most precious resource.

Additionally, Big Sioux Water Festival is well suited for the educational component of source water protection plans. For most plans, public education plays a pivotal role in successful source water protection implementation.

The Big Sioux Water Festival is the largest one-day water festival in South Dakota. It is known as a National Model Festival and is noted as a resource for developing festivals to utilize as an example. More than 200 volunteers contribute to the Big Sioux Water Festival to help make it a success. To learn more about this festival, visit www.bigsiouxwaterfestival.org. 💧



WATER TECHNOLOGY EXPO

**By Jeremiah Corbin,
SDARWS Source Water Protection Specialist**

The 8th Annual Water Technology EXPO was held in Rapid City on April 24-25. This event is designed to provide training opportunities for municipal, small, and rural water systems located throughout Western South Dakota. This year's EXPO saw presenters come to Rapid City from far and wide to represent local suppliers.

The EXPO's annual goal is to provide an opportunity for water system personnel to network with manufacturers, suppliers, and one another to exchange ideas on how to effectively operate and maintain systems. Over this day and a half training event, attendees were provided ample opportunities to network with EXPO presenters and exhibitors. Many of the 31 exhibitors in attendance were pleased to offer their expertise to the fifty water systems represented. Total attendance topped out at 125 with a few uncounted rural water managers making an appearance.

The EXPO began with a presentation by Larry Janes, the Executive Director of SD811, who provided a presentation on damage prevention. This presentation was a good reminder of why you and your community members should always call before you dig.

The second presentation of the EXPO provided the attendees with information on variable frequency drives. Jeff Bergman, the ABB Director Sales & Marketing for

Low Voltage Drives for the Water & Wastewater Industries traveled to the EXPO from New Berlin Wisconsin to discuss the ABC's of VFD's. Although Variable Frequency Drives (VFDs) are common in water and wastewater treatment plants for collection and distribution systems, the value they provide and how to properly select and use them are often not fully understood. This presentation demystified VFDs, providing a better understanding as to where and why you would use them.

Following a break that provided attendees with a good opportunity





to meet with exhibitors, Tim Donovan with Hawkins Water Treatment, with South Dakota locations in Sioux Falls and Black Hawk, spoke. Mr. Donovan's presentation covered the topic of a Bioaugmentation. Tim provided recommendations and best practices for utilizing bioaugmentation in wastewater environments.

Our final presentation of the morning of the first day came from Alana Hochstein. Alana is the Senior Corrosion Engineer for the American Galvanizers Association (AGA) and a NACE Certified Coating Inspector based in Centennial Colorado. She assists stakeholders regarding technical issues, and the processing of hot-dip galvanized steel. She also manages AGA studies and research on performance, application, and processing of hot-dip galvanized steel. She presented the benefits of duplex coatings,

the synergistic effects of the galvanizing with coatings, and the lifecycle cost benefits of this application.

After lunch, Mark McIntire with SDDENR, provided a regulatory update. Mark also spent additional time discussing the ongoing issues with the city of Pierre's drinking water manganese levels.

The next presenter was SDARWS's very own Bill Thorson. Bill has served as the wastewater tech for a little over a year. Before that, Bill worked for the city of Canton for over 25 years. Bill's presentation covered the NASSCO PACP, or the National Association of Sewer Service Companies (NASSCO) Pipeline Assessment Certification Program (PACP). Bill and Abbey

...continued on page 32





2019 RECAP

By Mike Moeller, SDARWS Technical Assistance Training Specialist

The South Dakota Association of Rural Water Systems held its fishing tournament on April 26th and 27th, 2019 in Fort Pierre. There was a total of 17 teams that entered in the tournament this year, and a total of 68.83 pounds of walleye caught. The weather didn't cooperate with the fisherman. It was snowing when the teams were launching their boats and changed to rain shortly after. At noon the rain subsided,

but the clouds and cold air remained with temperatures only reaching the low 40's.

The largest walleye caught in the tournament was caught by Ryan Doolittle of the Lenny's Remodeling team. The walleye weighed in at 10.95 pounds.

Of the seventeen teams that entered eight of them weighed in fish. The four teams that placed in the tournament all weighed in over ten pounds of fish each making up 49.28 pounds of the 68.83 pounds that were caught. The first-place team was the Northwest Pipe team out of Rapid City, they weighed in 14.05 pounds of walleye and took home a check for \$1000.00.

The second-place team was the Lenny's Remodeling team out of the Pierre area. The team weighed in a total of 13.8 pounds of walleye and took home a check for \$600.00.

The third-place team was Team Reclamation out of the Pierre area. The team weighed in a total of 11.38 pounds of walleye and took home a check for \$450.00.

The fourth-place team was team Eye Guys made up of individuals from the Bison, Miller, and Pierre. The team weighed in a total of 10.05 pounds of walleye and took home a check for \$200.00.

The tournament ended with a meal at the Fort Pierre Convention Center. It seemed like everyone had a great time at the tournament even though the weather didn't cooperate very well. The dates and location of next year's tournament will be decided soon and will be posted on SDARWS' website at www.sdarws.com.

We would like to thank all our sponsors for the tournament. The donations that were given by them help pay for the catered meal after the tournament. ♦



To see more pictures of the 2019 Fishing tournament, check out our Facebook page at www.facebook.com/SDRuralWater

THANK YOU TO OUR SPONSORS

MICROCOMM



NORTHWEST
Pipe Fittings

Bartlett & West



1st Place – Northwest Pipe Team



2nd Place – Lenny's Remodeling Team



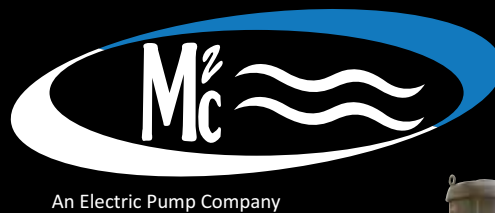
3rd Place – Team Reclamation



4th Place – Team Eye Guys



Largest Walleye – Ryan Doolittle



800-211-6432
www.electricpump.com

115 Lipton Street
Suite B
Tea, SD 57064

402-333-9660
www.mc2h2o.com



Have a complex
water treatment project?
We can help.

Treatment Resources' fifty years of combined experience in water treatment makes us uniquely qualified to meet your objectives. We represent the finest manufacturers in the industry and have worked with hundreds of municipalities and their consulting engineers to solve their water treatment problems. For more information visit us online or call us at (651) 702-2692.





JULY 16, 2019

ELMWOOD GOLF COURSE • SIOUX FALLS, SD

\$75/golfer • Includes 18 holes of golf, riding cart, luncheon & prizes!

REGISTER ONLINE AT SDARWS.COM

or: tinyurl.com/SDARWSGOLF

9:00 Shotgun Start (Must register at course by 8:30 am)

SEVERAL SPONSORSHIPS AVAILABLE!

Turn the page to see whats available!



SDARWS

TAKE A SHOT WITH A SPONSORSHIP!

The South Dakota Association of Rural Water Systems is pleased to invite you as an individual or your business to participate in our 33rd Annual Rural Water Open by taking advantage of one of the following sponsorship opportunities:

AWARDS LUNCHEON SPONSOR

\$2,000 (1 available)

Help feed the masses and take a shot at sponsoring the Rural Water Open Awards Luncheon. Sponsorship includes signage and recognition at the Awards Luncheon, and in our *ServiceLine* magazine.

BEVERAGE CART SPONSOR

\$1,500 (1 available)

Sponsorship includes two drink tickets for every golfer (beer, soda, water, coffee, juice, drink, malt beverage). Sponsorship also includes signage on drink tickets, signage on beverage cart, and recognition during luncheon/awards and in our *ServiceLine* magazine.

BALL SPONSOR

\$750 (1 available)

A sleeve of your logoed golf balls will be handed out to every golfer in the tournament. Sponsorship also includes recognition during luncheon/awards and in *ServiceLine*.

DONUTS & COFFEE SPONSOR

\$500 (1 available)

Make everyone's morning with fresh Flyboy donuts and coffee. Sponsorship includes signage at the breakfast table which will be located near the outside entrance of the clubhouse, and recognition during awards luncheon and in *ServiceLine*.

19TH HOLE SPONSOR

\$500 (1 available)

Sponsorship of the 19th Hole includes a keg, as well as signage at the hole, and recognition during the awards luncheon and in *ServiceLine*.

WATERPAC HOLE KEG SPONSOR

\$500 (Only one left!)

A keg with your name on it will be chilled and ready to serve our thirsty golfers. Sponsorship also includes recognition during luncheon/awards and in our *ServiceLine* magazine.

GPS CART SPONSOR

\$500 (1 available)

Have your ad pop up on the golf carts when the players arrive at each hole. Sponsorship includes recognition during luncheon/awards and in our *ServiceLine* magazine.

GOLF CHALLENGE SPONSORSHIP

Prize Donation (27 available)

Sponsorship is \$100 or equivalent prize. Sponsorship includes signage at the challenge hole, and recognition during luncheon/awards.

TEE BOX SPONSORSHIP

Gold (\$500) Silver (\$250) Bronze (\$100)

All proceeds from Tee Box Sponsorships benefit the Rural Water Center and are TAX DEDUCTIBLE! Sponsorship includes signage at a tee box, and recognition in our *ServiceLine* magazine. **(18 available)**

2019 RURAL WATER OPEN SPONSORSHIP CONTRACT

NOTE: SPONSORSHIPS ARE SOLD ON A FIRST-COME, FIRST-SERVED BASIS. TO CHECK ON AVAILABILITY, PLEASE CALL 605-556-7219.

COMPANY: _____

CONTACT: _____

ADDRESS: _____

CITY: _____ STATE: _____ ZIP: _____

PHONE: _____

EMAIL: _____

AWARDS LUNCHEON SPONSOR

\$2,000 (1 available)

BEVERAGE CART SPONSOR

\$1,500 (SOLD)

BALL SPONSOR

\$750 (1 available)

DONUTS & COFFEE SPONSOR

\$500 (1 available)

19TH HOLE SPONSOR

\$500 (SOLD)

GOLF CHALLENGE SPONSORSHIP

Prize: _____

GPS CART SPONSOR

\$500 (1 available)

WATERPAC HOLE KEG SPONSOR

\$500 (Only one left!)

TEE BOX SPONSORSHIP

Gold (\$500) Silver (\$250) Bronze (\$100)

For more information on sponsorships or the tournament, please contact Jeremiah at jcorbin@sdarws.com, or call 605-556-7219

MAIL FORM WITH PAYMENT TO:

South Dakota Association of Rural Water Systems, PO Box 287, Madison, SD 57042

FAX 605-556-1497 • SCAN AND EMAIL golf@sdarws.com

REGISTER ONLINE sdarws.com/golf-tournament.html



Local Service, Nationwide

2101 East 54th St. North • P.O. Box 85439
 Phone: 605/339-2814 • FAX: 605/339-2632
 Sioux Falls, South Dakota 57118-5439

2808 East Highway 44
 Phone 605/716-9427 • Fax 605/716-9447
 Rapid City, South Dakota 57703

CALL TOLL-FREE: 800-843-3799

coreandmain.com

- SENSUS - Water Meters
- EBAA Joint Restraints
- Neenah Castings
- Locators
- Link Seals
- Watts Valves
- Plug & Butterfly Valves
- Cretex Specialty Products
- PVC Pipe & Fittings
- AFC Valves & Hydrants
- Ladtech HDPE Adjusting Rings
- Victualic Couplings
- Ford Brass & Pipe Products
- Ductile Iron Pipe & Fittings
- Automatic Control Valves
- Flanged Piping
- Copper Tubing
- HDPE Pipe & Manholes
- Air Release & Check Valves
- Contech Construction Products
- Pipe Repair Products
- Valve Box Centering Adapters



NATIONAL RURAL WATER ASSOCIATION HEALTHY BENEFITS PROGRAM

This program is designed to give NRWA Members a comprehensive and affordable healthcare solution designed to meet all the compliance requirements of ACA. By offering affordable coverage along with proactive cost containment and employee wellness features, member companies can strategically manage healthcare costs while still maximizing benefits for their employees.



NRWA Members have freedom to offer any combination of Lifestyle Plans to meet the needs of their group. By combining the flexibility of the program with the exclusive association pricing, each group can offer a strategic benefits package. Groups of 4-9 employees can offer two plans. Groups of 10-25 employees can offer three plans. Groups of 26+ employees can offer up to four plans.

HealthyChoice

\$1000, \$1500, \$2000 & \$2500
 Deductibles
 80/20 Co-insurance
 \$30/\$50 Office Co-Pays
 Hospital ER Coverage
 Urgent Care Coverage
 In/Out Patient Coverage
 Prescription Drug Coverage

Healthy100

\$2500, \$3000, \$3500 & \$5000
 Deductibles
 100% Co-insurance
 \$30/\$50 Office Co-Pays
 Hospital ER Coverage
 Urgent Care Coverage
 In/Out Patient Coverage
 Prescription Drug Coverage

HealthyValue

\$2500, \$3500, \$6850 & \$10,000
 Deductibles
 50% & 100% Co-insurance
 \$30/\$50 Office Co-Pays
 Hospital ER Coverage
 Urgent Care Coverage
 In/Out Patient Coverage
 Prescription Drug Coverage

HealthyConsumer

\$3000, \$3500, \$5000 & \$6500
 Deductibles
 100% Co-insurance
 H.S.A. Compatible Plans
 Hospital ER Coverage
 Urgent Care Coverage
 In/Out Patient Coverage
 Prescription Drug Coverage

PLUS THESE VALUE ADDED BENEFITS:



Wellness Program incentives of up to \$500 in Deductible Credits



\$0 Copay Telemedicine access through LifestyleMD 24/7/365



100% Coverage of Diabetic Testing Supplies through Just Diabetic Supplies
Not available for HealthyConsumer Plans



100% Lab Coverage through DirectHealth with LabCorp Facilities
Not available for HealthyConsumer Plans

SAMPLE MEDICAL RATES

Each client group will go through underwriting. Premiums may be higher or lower based on underwriting results.

PLAN OPTION	HealthyChoice 1500	Healthy100 3000	HealthyValue 6850	HealthyConsumer 5000
Employee Only	\$418.69	\$392.31	\$329.86	\$317.98
Employee / Spouse	\$879.26	\$821.33	\$692.69	\$667.75
Employee / Child(ren)	\$803.89	\$753.22	\$631.24	\$610.51
Family	\$1,164.51	\$1,169.07	\$982.97	\$947.58

Sample medical rates for illustrative purposes only. Groups must have at least 4 enrolled employees to be eligible for the plan. Eligibility for all plans is 30 hours, governed by ACA. Plans are underwritten by our re-insurance partners, administered by Medova Healthcare and utilize various provider networks throughout the country. Contact your Lifestyle Sales Representative for more details.



For questions about the program or to receive a proposal, contact Jeanie Cunningham at (800) 530-5229 or jeanie@mkeithins.com.

Visit us at:
<http://healthybenefitsnrwa.com> &
[facebook.com/healthybenefitsnrwa](https://www.facebook.com/healthybenefitsnrwa)

VD41417

PHOTOS FROM THE FIELD



The Advanced Water Treatment Course participants were treated to a tour of the Sioux Falls Water Purification Plant.



Kurt Pfeifle, Steve Attema, and Mike Moeller recently became FAA certified drone pilots. Special thanks to CompassDrone for providing some excellent training.



SDARWS Wastewater Technicians Abbey Larson and Bill Thorson traveled to Colorado Springs for NASSCO PACP training.



The SDARWS fleet of vehicles is transitioning to a new, sleeker look with our brand new logo.



SDARWS hosted several rural water system office managers for their annual training meeting. Sessions topics include HR, Insurance platforms, Excel tips and tricks, Cybersecurity, and personnel issues.

To see more pictures of SDARWS in action, follow us on Facebook at www.facebook.com/SDRuralWater



Commercial Insurance specializing in:
Agriculture | Construction | Healthcare | Hospitality
Manufacturing | Non-Profit | Retail/Wholesale | Rural Water

Personal Insurance specializing in:
Home | Car | Boat | RV | ATV | Umbrella

Life & Health Insurance specializing in:
Employee Benefits | Wellness | Consulting

300 N Cherapa Place 6th Floor
Sioux Falls, South Dakota
605 339-3874
www.howaltmcdowell.com

WORLD CLASS. LOCAL TOUCH.



METER & AUTOMATION



NEPTUNE
TECHNOLOGY GROUP

FERGUSON[®]
WATERWORKS

Fargo 1917 1st Ave. N (701) 293-5511	Bismarck 1201 Airport Rd. (701) 258-9700	Blaine 1694 91st Ave. NE (763) 560-5200
---	---	--

Find the closest waterworks location near you by visiting
FERGUSON.COM/WATERWORKS

©2017 Ferguson Enterprises, Inc. 0417 421536

PEPSI VS. COKE - WHICH IS BETTER?



**By Nick Jackson,
SDARWS Circuit Rider**

We may have all heard of the Pepsi Challenge of 1975, which is better, Pepsi Cola or Coca-Cola? Yes, still ongoing yet today, shoppers were encouraged to taste both colas and then decide which drink they preferred.

It is the same with positive displacement chemical pumps, Peristaltic vs. Diaphragm metering pumps. Which is

better, what is the best choice for you? Both pump styles have distinct advantages and disadvantages over the other. Having 25 years working in the water industry, I would like to share some of my personal experience and information with you. When I first started in this business, we were utilizing Wallace & Tiernan diaphragm pumps. But in time like most products, repair parts became obsolete, and we switched to better, newer products. Most of my personal experience is with both the PULSAtron and the LMI diaphragm pumps. While working with South Dakota Rural Water, I have experienced and worked with several types and brands of chemical pumps. Most have been diaphragmed pumps, but I have seen several systems with peristaltic type pumps. Each water system has its reason for the type or model chemical pump they are utilizing.

If you are currently using diaphragm pumps in your work and are having success, the odds are good that you are educated on the basics of maintaining your pump. Diaphragm pumps will give you the best dosing accuracy; the diaphragm is hydraulically operated, meaning that the diaphragm has the same

pressure on both sides of the valves, thus providing longer life to the pump in wear and tear. The pump can be utilized to pump against fairly high pressures, where the Peristaltic pump is limited to what the tubing or hose can withstand, generally not over 100 PSI. Diaphragm pumps are easy to operate, adjustable stroke and feed rates to control your chemical dosages. The power head, check valves and ball have longer life against wear, less danger of leaking, so repairs are less frequent and the pumps can weather the elements.

Disadvantages of the diaphragm pump: they require a multi-step priming process. If poorly maintained, a diaphragm pump will lose its prime, especially to gaseous type chemicals such as chlorine solutions: this is a significant factor that downsides the diaphragm pump, vacuum degassing or vapor locking. The pump deadheads and causes excessive wear and damage to the pump unit when this happens.

Peristaltic pumps, on the other hand, are initially simpler to use, especially for a newcomer to our business. They require less experience to operate under adverse conditions. In recent years, the Peristaltic pump has become a more popular choice than a diaphragm pump. Peristaltic pumps work by forcing fluid along by waves of contraction produced mechanically on flexible tubes or hoses. A roller rotates over the tube or hose, squeezing the hose to create a vacuum which draws in the pumped fluid. This continuous effect creates a positive displacement flow, pushing the fluid through the pump into the system.

Peristaltic pumps are virtually maintenance free, with no seals, valves or diaphragms to replace, no check valves to clog and no rotors or stators to wear – key advantages, really only one wearing part, the tube or hose. The pump can run dry or out of chemical without damage to the pump itself, wear to the tube or hose. And the maintenance of replacing the hose or tube can be done within minutes. If pumping a gaseous chemical such as

...continued on page 32



VERSUS



IT MATTERS.

WATER. It grows our children and crops.
It develops our cities and country.
It powers our industries and businesses.
It cleanses our bodies and the land.

Providing water engineering and related services to help clients achieve success.

WATER ENGINEERING | CIVIL ENGINEERING | LAND SERVICES | SURVEY/MAPPING/GIS
MUNICIPAL FINANCIAL SERVICES | ASSET MANAGEMENT | INSTRUMENTATION & CONTROLS
ELECTRICAL ENGINEERING | STRUCTURAL ENGINEERING | COMMUNICATION SERVICES

THINK BIG. GO BEYOND.



Advanced Engineering and Environmental Services, Inc.
South Dakota Offices: Rapid City, Sioux Falls, Spearfish

www.ae2s.com



Products & Services Portfolio

The Power of Association

Only the National Rural Water Association can bring together this unique Products and Services Portfolio. Choose from website design & customer communications, to several insurance packages including health plans, data breach services, line & leak coverage, background screening as well as our Rural Water Loan Fund, all designed to meet the needs of utilities.

Tap into the power of America's Largest Utility Membership!

Call **800.545.1054** for more information
or go to nrwa.org email: info@nrwa.org



NATIONAL
RURAL WATER
ASSOCIATION

America's Largest Utility Membership

Availability may be limited in some states.

A DAY IN THE LIFE OF A **CIRCUIT RIDER**

JEFF FOSSUM



What was your first job? I grew up on a livestock and row crop farm of rural Canton, South Dakota. My first job or chores (why did most farmers have kids) was taking care of small chicks and picking the eggs. As I got older, more duties were added like feeding the stock cows hay and silage in the summer when the pasture was short my brother, and I would graze the cows and calves in the road ditches. The summer would be filled with jobs like walking soybean fields to remove the weeds. The first paying jobs were also farm related. When our (family farm) soybean fields were cleaned, and the neighbor needed help, we would hire out to get some spending money. In the winter, a good Saturday job would be the labor for shelling ear corn out of a corn crib. But my first full-time job was the summer after High School graduation operating heavy equipment for Lincoln County Conservation District. Part of the duties were building (4-row conventional, 8-row conventional, and narrow base) terraces in farm fields, rebuilding waterways, clearing old tree groves and grading a township of gravel roads.

What was your first water-related job? My first water-related job was working for the City of

Canton as a maintenance man. Canton Public Works Department was small enough that you “got” to work in all departments.

What does your typical day as a Circuit Rider entail?

Since my hire in February 2018, not two days in a row have been the same. The only constant thing I have encountered is sleeping in a strange hotel bed on an average of two to three nights a week.

What’s your favorite thing about being a Circuit Rider? I enjoy working and talking with the operators of the water systems. Sharing stories and learning from the lessons that the operator’s system has taught them.

What is the most challenging job you’ve ever undertaken as a Circuit Rider? To date, the most challenging task has been working with a new operator that has no records. NONE were kept on paper, of placement of curb stops, main water valves, size of water mains or which side of the street the water main lays. And now ask about Operation and Maintenance manuals from the past projects, well they are kept in the same place!

How do you think rural water systems could operate more effectively? At this time, I am still learning the ways of the Rural Water World and amazed at the Rural Water Family. What I see has been great! I have no suggestions at this time, but after I am here for a time, I may have some input.

What’s the best advice you could give to rural water systems? Keep the constancy of your long-term board members and knowledgeable managers. I came from the Municipal side of the water business. In the Municipal world, leadership is a constant change of mayors and board members. Sometimes the only reason the person is on the board is that they received the most popular votes or most common reason; nobody else ran to fill the position.

What advice would you give to a young person who wants to embark on a water career? The Water service job will be one of the biggest, greatest, and rewarding life jobs that they could ever undertake! “Get ready and hang on tight; this will be a fun job that won’t always be smooth.”

Bartlett & West

For over 60 years — engineering clean and safe water for our communities and for you.

&you

Water Engineering Services

- Preliminary, feasibility, and design reports
- Water source, treatment, and distribution design
- Long-range strategic and financial planning
- Regulatory compliance—strategies and planning
- GIS, GPS, and specialized system modeling
- Permitting, land rights, and easement management

BARTLETT & WEST

5900 S WESTERN AVE, STE 101 ■ SIOUX FALLS SD ■ 605.274.7415 ■ BARTWEST.COM

STRUCTURE. & INTEGRITY.

**PITTSBURG
TANK & TOWER
GROUP**



“100 years and still climbing”

**CREWS
AVAILABLE
GLOBALLY**



WWW.PTTG.COM

INSPECTIONS REPAIR TANKS



Wet	Code	Elevated
Dry	Updates	Ground
ROV	Paint	Relocation
In-Service	Insulation	Erection
Cleaning		Dismantles

NEW TANKS – Rick DiZinno (270) 826-9000 ext. 2601
EXISTING TANKS – Patrick Heltsley (270) 826-9000 ext. 4601

MIDCONTINENT

TESTING LABORATORIES, INC.

- State-certified for **DRINKING WATER** and **WASTEWATER** testing
- Custom pre-printed sample forms save you time
- Setting the pace for analytical testing & customer service
- Our batch SOC testing can save you \$\$\$ in testing costs
- **FAST SERVICE!** Check your results online by logging on @ www.TheChemistryLab.com



2381 S. Plaza Drive P.O. Box 3388 Rapid City, SD 57709
Phone 605-348-0111 • FAX 605-721-0265

THEIN WELL

Celebrating 125 Years of Service



Since 1893

- Geo Probing
- Soil Borings
- Monitoring Well
- Remediation Wells
- Angle Drilling
- Rock Coring
- Well Televising
- Gamma/E-logging
- Test/Production Wells
- Pump Sales/Service
- Well Rehabilitation
- Well Abandonment

800-450-8000
www.theinwell.com



Certified Master Groundwater Contractor



CERTIFICATION PRACTICE QUESTIONS

1. WHAT IS THE MAIN PURPOSE OF MECHANICAL SEALS?

- a. Control water leakage around the pump shaft
- b. Keep dirt out and lubricants in
- c. Save on costs
- d. Save on Maintenance

2. WHAT IS THE MAIN PURPOSE OF PUMP PACKING?

- a. Control water leakage around the pump shaft
- b. Keep dirt out and lubricants in
- c. Save on costs
- d. Save on Maintenance

3. WHICH PART OF THE PUMP HOUSES THE PACKING?

- a. Volute
- b. Pump Case
- c. Pump Shaft
- d. Stuffing Box

4. WHAT DEVICE PROVIDES EVEN PRESSURE TO COMPRESS THE PUMP PACKING?

- a. Mechanical Seal
- b. Pump Shaft
- c. Lantern Ring
- d. Packing Gland

5. WHAT TEMPERATURE SHOULD A LIME SLAKER MAINTAIN DURING SLAKING?

- a. 212 Degrees F or higher
- b. 100 Degrees C or higher
- c. 160 Degrees F or higher
- d. The slaking reaction is not dependent on temperature

6. PUMPS IN SERIES

- a. Increase flow
- b. Increase pressure
- c. Decrease flow
- d. Decrease pressure

7. PUMPS IN PARALLEL

- a. Increase flow
- b. Increase pressure
- c. Decrease flow
- d. Decrease pressure

8. THE 150-POUND CHLORINE CYLINDER IS SHOW FROST ON THE OUTSIDE OF THE CYLINDER, YOUR FEED RATE IS CURRENTLY AROUND 40 POUNDS OF CHLORINE PER DAY, WHAT SHOULD YOU DO?

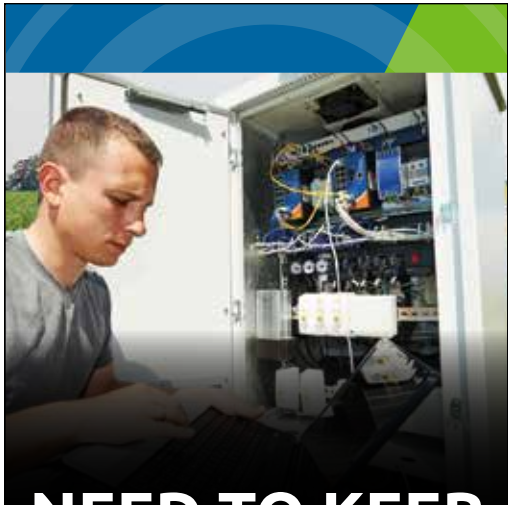
- a. Nothing
- b. Start feeding from 2 cylinders instead of 1
- c. Increase flow through chlorine ejector
- d. Install a larger chlorinator

9. WHAT IS THE BEST TYPE OF GASKET TO USE WHEN CONNECTING A CHLORINE CYLINDER TO THE CHLORINE FEED SYSTEM?

- a. Fiber
- b. Stainless steel
- c. Copper
- d. Lead

10. WHICH CHLORINE INSTITUTE EMERGENCY KIT IS USED ON 1-TON CYLINDERS

- a. Kit A
- b. Kit B
- c. Kit C
- d. Kit D



NEED TO KEEP THE WATER FLOWING?

Thompson Knows
CONTROLS & AUTOMATION

-  System Design & Engineering
-  UL Certified Custom Control Panel Fabrication
-  SCADA/HMI Systems Development
-  Maintenance Service Hardware/Programming



CALL TODAY!
866.258.8462
 thompsoninnovation.com
 sales@thompsoninnovation.com

1. A; 2. A; 3. D; 4. D; 5. C; 6. B; 7. A; 8. B; 9. D; 10. B

QUICK & EASY FINANCING SOLUTIONS



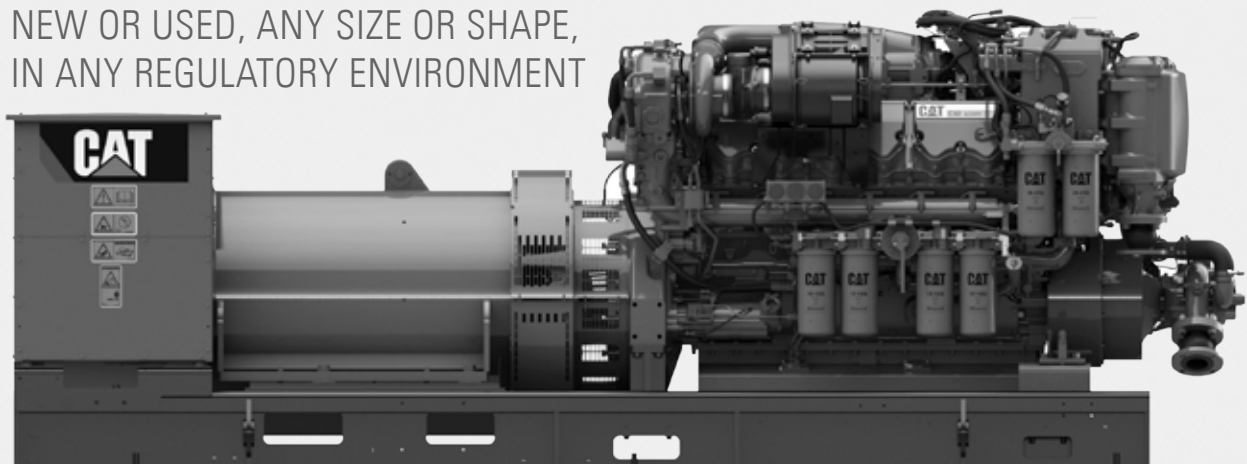
www.cobank.com/h2oloan

844-846-3135

Proud Member of the Farm Credit System 

WHEN YOU
NEED POWER WE
THERE FOR YOU. ARE

NEW OR USED, ANY SIZE OR SHAPE,
IN ANY REGULATORY ENVIRONMENT



877.365.8114
BUTLERMACHINERY.COM

Butler 

NEW INFRASTRUCTURE PLAN IN THE WORKS



**By Abbey Larson,
SDARWS Wastewater Technician**

Congressional leaders and President Donald Trump are amidst talks for a new \$2 trillion infrastructure plan. The goal of this plan is to address a broad range of the country's infrastructure issues some of which include repairs or new construction of roads, bridges, water and sewer pipeline, telecommunication lines and the power grid. But \$2 trillion is a lot of money, so how will these funds be generated?

With state programs matching federal dollars, and in some cases, a public-private partnership. "Every Federal dollar should be leveraged by partnering with State and local governments and, where appropriate, tapping into private sector investment – to permanently fix the infrastructure deficit. Any bill must also streamline the permitting and approval process – getting it down to no more than two years, and perhaps even one," said President Trump during his State of the Union Address in January.

The new bill will be set up not to allocate money to specific types of projects, but to state and local governments to fund projects according to their need. This is according to the 15-page legislative outline of the plan The White House released in February. The outline also describes an incentive program to attract non-federal revenue streams, money for

state block grants, and funding for "transformative" projects. The outline defines transformative projects as "...ambitious, exploratory, and ground-breaking project ideas that have significantly more risk than standard infrastructure projects, but offer a much larger reward profile." (The White House, 2019). Although these ideas for funding sound promising, how the federal government will come up with these funds is still up in the air.

Unfortunately, the plan is so early in its development that the price tag has not been talked about much. The only option being mentioned now is increasing the gas tax. The gas tax funds federal transportation projects and has not changed since 1993, when it was increased to 18.4 cents per gallon. This option is not very popular, and since no other options have been discussed, we will just have to wait and see what happens during the development of the bill.

So, what kind of effect can we expect this new bill to make on water and wastewater infrastructure?

Well, the American Waterworks Association estimates that about \$1 trillion would have to be spent on water infrastructure alone to address systems across the country that are reaching the end of their useful life (Mundahl, 2018). While this bill will hopefully provide funding to make a dent in that number, the fact is that local governments will have to continue to stay as much ahead of the issue as they can. Long range planning for your community's sustainability, creating a capital improvement plan, and generating funds through rate increases or restructuring are still the best ways your community can start preparing now for the future.

SDARWS provides two Sustainable Management Workshops a year and can also meet with your system specifically to evaluate your system needs and help you plan for future improvements. If you are interested, contact us and we would be glad to set up a time to meet with you. 💧



REFERENCES

Mundahl, E. (2018). *What Does Trump's Infrastructure Plan Mean for America's Water Works?* Inside Sources.

The White House. (2018, January 30). *President Donald J. Trump's State of the Union Address*. Retrieved from [www.whitehouse.gov](https://www.whitehouse.gov/briefings-statements/president-donald-j-trumps-state-union-address/): <https://www.whitehouse.gov/briefings-statements/president-donald-j-trumps-state-union-address/>

The White House. (2019). *Legislative Outline for Rebuilding Infrastructure in America*.

EXPO: continued from page 15...

Larson (the other SDARWS Wastewater Tech) recently attended training and became certified for the PACP process. This is a value-added service that provides systems with enhanced data regarding their wastewater collection system. SDARWS can now offer this type of inspection to interested systems.

Our next presentation took us down the hole if you will. Mitch Kannenberg of WSP (Formally LBG), Sioux Falls office, provided a presentation on Well Design and Construction. Mitch's presentation took us through the various methods for drilling wells and provided insight into indicators to look for when drilling a new well. Finishing and screen size provides a large portion of well yield success; it is important that drillers properly develop wells. This process cannot be rushed.

Following the afternoon break, was an overview of the ever-changing world of high precision GIS equipment. Nathan Kupfer with Frontier Precision, out of Bismarck, presented the wide range of hardware that Trimble has available for field data collection. This equipment varies from stand-alone to cloud-based.

Our next presentation was an overview of SDWARN by Brad Lawrence, Utility Director for the City of Madison. SDWarn is the water and wastewater emergency response network in South Dakota. SDWarn has some equipment available for storm events, but primarily

is a mechanism to manage mutual aid agreements for water & wastewater systems. SDWarn is always looking for new members. If you are interested in joining, sign up at sdwarn.org.

The final presentation of the first day was provided by Will Lind of Dakota Pump out of Rapid City. Will discussed Dakota Pump's capabilities and their unique approach to working with systems to maximize their Capital Improvement Budgets.

Day two of the Expo started with a presentation by Rusty Schmidt of Rapid Valley Sanitary District / Water System & Dustin Dale of AE2S in Rapid City. Their presentation was Increasing Water Production Without Increasing Your Footprint Utilizing Ceramic Membranes. Rapid Valley SD/WS became the first system in the US to utilize Ceramic membrane for potable water. The presenters discussed the transition process and the advantages of ceramic membrane filtration.

The second presentation of day two was an introduction to the FirstNet, First Responder Broadband network. Doug Penniston, AT&T mobility consultant from Sioux Falls, provided information on the FirstNet network, that is dedicated to first responders, and water & wastewater utilities are eligible to utilize this enhanced coverage network.

After the morning break, Andy Seidel

of Poway, CA and is the CEO and Chairman of UGSI Solutions, Inc a process technology company specializing in chemical feed and disinfection. Andy provided a presentation on the role of smart tanks in distribution water quality management. Andy discussed the role of disinfection in water quality and the importance of minimizing tank stratification.

The final presentation at the expo was by Rural Development community programs director Tim Potts. Mr. Potts reviewed the requirements of RD funding and gave insight into the funding that is available in South Dakota for water and wastewater projects.

Many of the EXPO attendees are certified operators and interested in attaining mandatory contact hours to renew their certification license. With the approval of ten contact hours by Certification Secretary Rob Kittay, attendees gained valuable knowledge and assisted with the regulatory requirement for maintaining their certification status.

The EXPO would not be possible without the support from the 31 tabletop exhibitors. We offer special thanks for their support in bringing valuable training and professional resources that truly benefited EXPO attendees.

Plans are already underway for the 2020 EXPO. Watch for details on our website, plan to attend and bring a friend! ♦

PEPSI OR COKE: continued from page 25...

chlorine, the air is easily pumped through without locking up. No need for in-line strainers will pump most chemicals, and the pump design prevents backflow and siphonage.

Peristaltic pumps are easier to prime for the novice operator, but if not taken care of, can be more trouble than a Diaphragm pump. The disadvantages of this pump, the constant squeezing of the tube or hose eventually weakens and damages the hose until it ruptures. The tube or hose is physically worked, which means

the calibrated capacity is continually changing as the tube weakens until it breaks. Leakage can destroy the pump and surrounding area depending on the chemical being used. These pumps need to be protected against the elements, or they will be damaged. The weakest point of the Peristaltic pump is the frequency of replacing the tube or hose as it weakens or ruptures; also the inconsistencies of the dosage of chemical pumped.

Both the diaphragm and the Peristaltic metering pumps can provide years of

dependable and efficient service. When deciding which type of pump to use, it is important to know how each type of pump operates and what regular maintenance each requires. Also, you need to determine what kind of chemical will be pumped; this will determine the metering pump that best suits your installation needs.

Oh, by the way, I prefer Coca Cola, to me, Pepsi is far too sweet, but that is my choice, what's yours? ♦

ASSISTANCE PROVIDED AT DRY CREEK ESTATES



**By Brant Ager,
SDARWS Circuit Rider**

The South Dakota Department of Environment and Natural Resources (DENR) contacted SDARWS on April 1st, 2019. A homeowners association, Dry Creek Estates, had been without water for nearly a week. The exact cause of the water outage is unknown because of the changing of certified water operators and miscommunications within the water system. The state referred SDARWS to get the water system back on track and running normally until another certified operator could be hired.

I went to Dry Creek Estates ready to leak detect and figure out where the water had gone. A top section was chosen to first check for leaks. By isolating with valves, the first few sections checked out fine. After switching valves around to check the next section, a possible leak was detected. To help confirm this leak, we checked the map for correct valving, and a discrepancy was found. The wrong valve was closed, meaning the wrong valve was left open allowing the detection trailer to pump straight into the water tank.

A regrouping was necessary, and it was decided to come back the next day with SDARWS' Training and Technical Assistance Specialist Mike Moeller and tackle the system. The next three days were dedicated to learning the water system, learning the pump station,

bleeding air out of the system, adjusting the chemical feed pumps, taking chlorine residuals and adjusting tank level set points.

The first order of business was to prime the pump to feed the top section of the system. This was a major task due to the way the system and pump station was set up. All the air from the whole system was brought right to the pump intake. While the air was blowing off, the chemical pumps were turned back on and adjusted down to a normal rate. The chlorine had been set extremely high, allowing nearly 20 gallons of sodium hypochlorite to be pumped into 130,000 gallons over four days. Then we assisted with flushing hydrants and diluting the water in the tank with fresh untreated water.

Finally, the okay was given to install an air relief on the intake side of the pump which took care of a lot more air and made it automatic with little spirits as they come instead of stocking up gallons waiting to be released manually with a ball valve and drain.

Now the air was gone, chlorine was stabilizing, and the tank was filling. The last day consisted of more flushing, testing chlorine residuals, and monitoring the tank level. Also, a stubbed in service to an empty lot was found turned on wide open. This was suspected to be the cause of the water loss and the tank going empty, but the reason why it was left open is unknown.

In short, SDARWS worked for four days putting the system back online and figuring out where the water was going all while having to learn how the water system worked with little experienced input.💧





FROM THE EXECUTIVE DIRECTOR

KURT PFEIFLE, EXECUTIVE DIRECTOR

Utilities are always on the lookout for a good deal, preferably one that will also provide great benefits to our water or wastewater system. Your National Rural Water Association (NRWA) has spent years researching and negotiating with companies to provide you access to a line of great products and services from strong and thoroughly vetted vendors. Generally, these vendors and their products and services are germane to the utility industry and are nationally available. These programs are available through South Dakota Association of Rural Water Systems as a benefit to our membership.

RURAL WATER LOAN FUND



The Rural Water Loan Fund (RWLF) is a funding program specifically designed to meet the unique needs of small water and wastewater utilities. The

RWLF provides low-cost loans for short-term repair costs, small capital projects, or pre-development costs associated with larger projects. The RWLF was established through a grant from the USDA/RUS, and repaid funds used to replenish the fund and make new loans.

RURAL WATER IMPACT.COM AND MUNICIPAL IMPACT.COM



RuralWaterImpact.com
Smart Websites for Smart Water Systems



MunicipalImpact.com
Smart Websites for Smart Communities™

Rural Water Impact is the industry leader in professional, cost effective websites – custom designed for rural water systems. Rural Water Impact’s web solutions utilize tried-and-true principles of web design and usability standards, enabling water utilities to be more efficient,

effective and professional in servicing their customers. Utilities benefit from a professional web presence as their site provides customers a greater level of information and service. This ultimately increases overall customer satisfaction and confidence in the utility.

DATA BREACH INSURANCE



Bailey Special Risks, Inc. proudly offers Beazley Breach Response insurance for utilities. This unique insurance provides a comprehensive service that protects utilities that

have suffered a data breach with notification, loss control,

credit monitoring services, and more. Beazley has helped clients handle more than 500 data breaches, including many involving hundreds of thousands of records. This service is designed to meet three critical needs for utilities: speed, thoroughness, and coordination.

SERVLINE WATER LOSS INSURANCE



ServLine

ServLine is a new and unique insurance program that covers water loss with no deductible, as well as repairs or replacement of a customer’s water and sewer line in a timely fashion. ServLine is a full-service program backed by Hanover

Insurance Company – not a warranty program. The difference is that warranty programs only cover water line and sewer line repairs, and don’t provide leak adjustments for the utility and the customer.

LIFESTYLE HEALTH PLANS



Medova Healthcare and Mike Keith Insurance is pleased to introduce Lifestyle Health Plans, a unique health benefits program designed to

address the underlying causes of the rise in healthcare costs for both employer and employee alike – employee health behaviors.

IRIS NOTIFICATION SYSTEM



IRIS is a SaaS (software-as-a-service) created and owned by TechRadium, Inc. TechRadium is a leading provider of high-speed communication

services to water districts, educational institutions, corporations, non-profits and government entities worldwide. IRIS – Immediate Response Information System, gives organizations the ability to broadcast information via voice and text to thousands of people simultaneously with its easy-to-use mass notification service, IRIS. TechRadium is the owner of eleven United States patents and has multiple patents pending.

For more information on NRWA Affinity Programs, contact South Dakota Association of Rural Water Systems or visit the NRWA website at nrwa.org/products-services for a more detailed explanation. ♦



Bringing
Quality Water
 to Rural America for over 60 Years

Drinking Water

- Supply
- Treatment
- Storage
- Distribution

Wastewater

- Treatment
- Collection
- Lift Stations
- Sewer Rehab



Sioux Falls & Yankton, SD
 Rock Rapids, Sioux City
 & Ankeny, IA
800-446-2531

Trusted. Professional. Solutions.

dgr.com



WATER TOWER EXPERTS



(605) 334-9749 | MAGUIREIRON.COM |   



TANK MAINTENANCE & NEW TANKS

- Full-Service and Custom Tank Maintenance Plans
- Interior/Exterior Tank Painting
- Interior/Exterior Sandblasting and Containment
- Interior/Exterior Tank Inspections
- Lead Abatement
- Interior Tank Cleaning and Disinfection
- Custom Tank Logos
- Chemical Cleaning
- Tank Mixing Systems
- 24-Hour Emergency Services



CHAD EDWARDS

North Dakota Water Tower Expert
 (605) 759-4957 | edwardsc@maguireiron.com





203 W. Center Street
P.O. Box 287
Madison, SD 57042
www.sdarws.com



JULY 16, 2019

ELMWOOD GOLF COURSE • SIOUX FALLS, SD

\$75/golfer • Includes 18 holes of golf, riding cart, luncheon & prizes!

REGISTER ONLINE AT SDARWS.COM

or: tinyurl.com/SDARWSGOLF

9:00 Shotgun Start (Must register at course by 8:30 am)