

ServiceLine

The Official Publication of the South Dakota Association of Rural Water Systems

ANNUAL TECHNICAL CONFERENCE


January 11-13, 2022

***WHY FLUSHING
YOUR HYDRANT
LINES IS IMPORTANT***

***WHAT IS
YOUR SIGN?***

***REMEMBERING
JERRY HEMEYER***

RURAL WATER WARRIORS FISHING TOURNAMENT - APRIL 29-30TH



Reimagine your
water solutions.

Evolved.

When you are using water, you don't usually think about where it comes from. That's how it should be. Smart management of a precious resource. It's second nature at KLJ.

KLJENG.COM



ENGINEERING, REIMAGINED

IN THIS ISSUE



SDARWS CORPORATE PARTNERS

Marsh & McLennan Agency, Inc.

Risk Administration Services

Dakota Pump & Control

Dakota Supply Group

Treatment Resources, Inc.

Banner Associates

Bartlett & West, Inc.

DGR Engineering

Maguire Iron, Inc.

Core and Main

Dakota Pump Inc.

CoBank

Milbank WinWater

AE₂S

ISG

Brosz Engineering

- 5 From the SDARWS President
- 6 New Faces at SDARWS
- 7 Operator Certification Training Class and Exam Schedule
- 9 SDARWS Staff Directory
- 10 2022 Annual Technical Conference Information
- 12 2022 ATC Agenda
- 17 Leadership Highlights
- 18 Name Our Boat contest
- 20 Remembering Jerry Hemeyer
- 23 A Changing of the Seasons
- 25 What is Your Sign?
- 27 Why Flushing Your Water Mains is Important
- 29 SDARWS Conferences & Events
- 31 Certification Questions
- 33 2022 Fishing Tournament Information
- 34 From the Executive Director

Cover Photo: Lake Preston, South Dakota. Photo Credit: iStock.com

ServiceLine is published bi-monthly by the South Dakota Association of Rural Water Systems. The contents of this publication may not be reproduced by any means, in whole or in part, without the prior written consent of SDARWS. SDARWS reserves the right to reject or edit any manuscripts received for publication. All submissions become the property of the South Dakota Association of Rural Water Systems unless otherwise specifically stated in this publication. Statements of fact and opinion are the responsibility of the authors alone and do not imply an opinion on the part of the South Dakota Association of Rural Water Systems. Advertisements and editorials do not represent official policies of the Association. Acceptance of advertising by SDARWS does not constitute endorsement of the advertiser, its products or services, nor does SDARWS make any claims or guarantees as to the accuracy or validity of advertisers' claims.

To submit editorial or advertising content, or to update your mailing information, please contact Jennifer Bame at 605-556-7219 or email jbame@sdarws.com.

SOUTH DAKOTA ASSOCIATION OF RURAL WATER SYSTEMS

P.O. Box 287, Madison, SD 57042 • Phone 605-556-7219, Fax 605.556.1497 • email: info@sdarws.com • www.sdarws.com
Copyright 2021



**QUALITY
ENGINEERING
SOLUTIONS FOR
RURAL WATER
PROJECTS**

MASTER PLANNING
ASSET MANAGEMENT
HYDRAULIC MODELING
CAPACITY ANALYSIS
STORAGE RESERVOIRS
PUMPING STATIONS
PIPELINES
TREATMENT FACILITIES
CONSTRUCTION SERVICES

MITCHELL, PIERRE, SIOUX FALLS, STURGIS
SOUTH DAKOTA
broszeng.com




MILBANK
WinwaterTM
COMPANY

S. Hwy. 15 • P.O. Box 350
Milbank, SD 57252
1-800-743-2972
Fax 605-432-5447

- WATER PRODUCTS
- INDUSTRIAL PIPING
- WATER METER SYSTEMS
- PUMP SYSTEMS
- GEO TEXTILE FABRIC
- ROAD CASTINGS

*Large enough to handle any job,
but small enough to care about yours.*



FROM THE SDARWS PRESIDENT

RON GILLEN, SDARWS PRESIDENT

2022 ANNUAL TECHNICAL CONFERENCE

Our Annual Technical Conference is approaching fast, and the staff at South Dakota Rural Water are busy behind the scenes gearing up for the event which kicks off Tuesday, January 11th at the Best Western Ramkota in Pierre. The full agenda can be found on pages 10-14 in this issue of *ServiceLine*.

Online registration is open, so check sdarws.com for everything you need to know – agendas, hotel information, and news regarding the upcoming conference.

ATC KEYNOTE SPEAKER - HOLLY HOFFMAN

Our Keynote Speaker for 2022 is Holly Hoffman. Holly was the last remaining member of the Espada Tribe and the last woman standing on Season 21 of CBS' hit reality show "Survivor: Nicaragua." Through that experience, and others throughout her life, Holly was inspired to share her message of survival.

A professional motivational speaker and the author of "Your Winner Within" and "Write Yourself a Note," Holly acknowledges that life is made up of challenges, and we are oftentimes faced with situations that seem insurmountable. But within each of us is an ability to focus our thoughts, emotions, and energy to succeed – if only we have the knowledge, tools, and discipline to do so.

A native of South Dakota, Holly's writing and speaking not only offer encouragement and optimism but a roadmap for self-discovery and spiritual enlightenment. Readers and audience members alike walk away inspired to light the fire of successful living within themselves.

Today, Holly is a member of the National Speaker's Association, a recipient of the Certified Speaking Professional designation, and travels across the country and internationally speaking to a wide variety of corporations, associations, universities, schools and women's organizations. Holly inspires her audiences to take opportunities and focus on faith, attitude, determination, confidence, desire and perseverance.

WATER TASTE TEST CONTEST

This year's Exhibit Hall will feature a public judging of the top three finalists in the SD Rural Water Taste Test. The winner chosen at this taste test will go on to represent South Dakota in the National Rural Water Taste Test held at the Rural Water Rally in Washington, DC in February of 2023. If your water system is interested in participating in the taste test, please make sure that they bring a quart-sized glass jar filled with water from your water system to the Registration Desk by 2:00pm on Tuesday, January 11th.

ZECK AND JACKSON TO RETIRE

This year will also mark the last ATC for two longtime SDARWS employees who are approaching retirement – Trainer Jim Zeck, and Circuit Rider Nick Jackson. I would like to invite anyone who would like to say goodbye to these gentlemen to come to our Exhibit Hall at the Ramkota in Pierre on Wednesday, January 12th from 4-8pm.

2022 RURAL WATER RALLY

South Dakota Rural Water does many things, and one of the most important benefits to our rural water membership relates to our legislative efforts. Every year the National Rural Water Association hosts a Rural Water Rally in Washington D.C. to further the work of providing drinking water and wastewater services to rural communities. Rural Water professionals, leaders and customers from every state attend the rally to thank their Senators and Representatives for their support and encourage them to further support the goals and needs of the Rural Water Industry. The Rally provides your Association the opportunity to meet directly with our congressional delegation one-on-one to discuss concerns of SDARWS members and other systems, as well as with their staffers, and USDA.

We invite you to join us February 8-10 at the Hyatt Regency on Capitol Hill. For more information, visit NRWA's Rally page at: nrwa.org/rally. Room reservations can be made at the Hyatt Regency by calling 202-737-1234. If you have any questions about attending this year's event, please call the SDARWS office at 605-556-7219. We would love to have you join us on the Hill! 💧

NEW FACES AT SDARWS

SDARWS has recently welcomed two new staff to the team. Kevin Christiansen has been hired as our new Source Water Protection Specialist, and Allen Kocmich has taken on the role of Circuit Rider.

Kevin was born and raised in Flandreau, SD where he resides with Dawn, his wife of 20 years, and three kids. For the past 11 years Kevin has been employed at East Dakota Water Development District (EDWDD) in Brookings, SD as a Field Project Specialist and really enjoyed it. His duties there were to collect river and stream discharge measurements, water quality samples from area streams, rivers and lakes in and around EDWDD's district. Before East Dakota, he worked at River's Edge Co-Op in Flandreau as a commercial chemical and fertilizer applicator.

Kevin currently volunteers as an assistant high school baseball coach at Flandreau and has helped with and coached both the Flandreau youth wrestling and football programs in the past. He currently serves as the Vice President on the Flandreau Public School Board of Education. In his free time, he enjoys hunting both big game and small game in South Dakota with his kids, friends, and family. He looks forward to his new position with SDARWS and getting to know the staff and SDARWS community.

Allen resides in Avon, SD with Linda, his wife of 19 years. He has two children, three step-children, and five grandchildren with another due to arrive in February. Allen has worked for the City of Avon for 30.5 years, most recently as the Public Works Director and on the street and water commission. He holds a Class 1 Water Distribution, Class 1 Wastewater Collection, and in pool operations. He has also been on the Avon Fire Department for over 30 years.

In his spare time, Allen enjoys fishing, hunting, boating, camping, and the Green Bay Packers (when they win). Allen says he has always liked solving problems for people and enjoys meeting people with the same interests. He looks forward to traveling the state to meet new people and visit towns he's never been to. 🍷



Kevin Christiansen



Allen Kocmich

Supporting Membership NRWA

We are raising the bar by reinventing our individual membership.

For \$49, you can join the growing community of NRWA Supporting Members dedicated to the success and sustainability of the Rural Water industry.

Every dollar of your membership dues goes to NRWA's lobbying efforts, ensuring that small and rural water utilities and State Rural Water Associations have a voice in Washington, D.C.

Supporting Membership Includes:

- Members-only newsletter, *NRWA Unfiltered*
- Discounts on WaterPro Conference registration and NRWA store items
- Notifications and access to industry-specific training sessions
- Valuable insight directly from key policy leaders
- Inside look at our grassroots agenda to advance water and wastewater utilities
- Subscription to Rural Water Magazine
- and more!



**Be a part of something bigger.
Become a member today.**

Visit nrwa.org/members for more information and to join today!



OPERATOR CERTIFICATION TRAINING AND EXAMS

INFORMATION REGARDING IN-PERSON & ONLINE CLASSES

Pre-Registration for in-person and online classes is required and will be limited. Those who have not pre-registered will not be able to attend in person due to room constraints. During the registration process the operator will be able to choose if they wish to attend in-person or online. Once the in-person limit has been reached any additional registrants will be for the online course. Online attendees will be sent a Zoom link and information on how to download course materials. In-person and online class times will take place in the time zone of the in-person class.

Vaccination rates and the course of the COVID-19 pandemic will determine when we can relax our social distancing requirements. If vaccination rates are high and the rate of new cases is low it may be possible to increase the number of people we can accommodate for in person training. Those operators who have pre-registered and were moved to online training will be notified in the event we can increase the number of in person attendees.

Basic Wastewater Treatment	January 25-27, 2022	Rapid City: Ramkota	40 Registration Limit
OpCert Exam	January 27, 2022	Rapid City: Ramkota	40 Registration Limit
Water Distributon	February 1-3, 2022	Brookings: Wilbert Square Event Center	40 Registration Limit
OpCert Exam	February 3, 2022	Brookings: Wilbert Square Event Center	40 Registration Limit
Basic Water Treatment	February 15-17, 2022	Spearfish: Holiday Inn	40 Registration Limit
Wastewater Collection	March 1-3, 2022	Rapid City: Ramkota	40 Registration Limit
Basic Wastewater Treatment	March 29-30, 2022	Watertown: Ramkota	40 Registration Limit
Basic Water Treatment	April 5-7, 2022	Sioux Falls: Ramkota	40 Registration Limit
Small Water Treatment Workshop	April 28, 2022	Rapid City: Ramkota	30 Registration limit
Intermediate Water Treatment	May 3-5, 2022	Sioux Falls: Ramkota	40 Registration Limit
Advanced Wastewater Treatment	May 17-19, 2022	Rapid City: Ramkota	40 Registration Limit
Stabilization Pond Workshop	June 2, 2022	Huron: Event Center	20 Registration Limit

Classes start at 8:00 AM Tuesday through Thursday. Classes end at approximately 4:30 PM on Tuesday and Wednesday, and noon on Thursday. One-day Workshops start at 8:30 AM and end at 4:30 PM.

ATTENTION WATER/WASTEWATER SYSTEMS/OPERATORS:

Since 1970, DANR has been charging \$10 or less to take an Operator Certification Exam. The annual charge to renew a certificate has been \$6 or less. Obviously costs have increased since the 70's and DANR has been taking a significant loss every time a certification exam has been taken. The costs for an exam include the cost to have the exam corrected, exam room rental, per diem, and mileage.

SB 53 was proposed by DANR to allow us to charge what the actual cost of each exam is which is approximately \$60. The bill also eliminated the annual renewal fee. SB53 passed both houses of the Legislature and was signed by the Governor on February 24, 2021. The effect is that any OpCert exam taken after July 1, 2021 will cost \$60. With the renewal fee being eliminated, all operators that have the proper number of contact hours and

are still working in the water/wastewater field will have their certificates renewed automatically by DANR on July 1, 2021 and every February 1 after that. The operator does not have to do anything other than ensure they have adequate contact hours based on the certificates held. The operator will receive a notice via email or regular mail noting this.

Also please note that the certification classes offered by South Dakota Rural Water are still free and supported by a contract with DANR.

The three year period runs from February 1 of the renewal year back to February 1 three years previous. For example, for the 2022 renewal only the contact hours acquired between February 1, 2019 through February 1, 2022 are considered.

For Study materials, visit: www.abccert.org/testing_services/ExamReferences.asp
REGISTER FOR CLASSES ONLINE: sdarws.com/certification-classes.html



engineering
a better
community

water | wastewater

Mni Wasté Water Supply Project | Cheyenne River Sioux Reservation | North Central SD

Brookings | Sioux Falls | Vermillion | Rapid City | Milbank
605.692.6342 | Toll Free 1.855.323.6342
www.bannerassociates.com

BANNER
engineering a better community

DAKOTA PUMP

WATER PUMP STATIONS

- Modular Water Booster Stations
- Grade Mounted Water Booster Stations
- Water Booster Pump Stations
- Water Control Vaults

WHY PREFABRICATED?

- Fully Factory Tested
- Ease of Installation
- Simplified Design
- Single Source Responsibility

SEWAGE PUMP STATIONS

- Wet Well Mounted Lift Stations
- Flood Suction Lift Stations
- Self-Priming Lift Stations
- Obround Package Pump Stations

PROACTIVE PUMP STATION SALES, MAINTENANCE AND INSPECTION

WE PROVIDE
SOLUTIONS
BUILT ON
RELATIONSHIPS

DAKOTA PUMP OFFICES

MITCHELL

25524 413th Ave, Mitchell, SD 57301
MAIN 605.996.6636 | CELL 605.770.9371

RAPID CITY

12065 Quaal Rd, #99, Black Hawk, SD 57718
MAIN 605.996.6636 | CELL 605.430.2862

WATERTOWN (K&P PUMPS)

800 33rd St SW, Watertown, SD 57201
MAIN 605.753.0072 | CELL 605.881.1586

PROACTIVE PUMP STATION SALES, MAINTENANCE AND INSPECTION | VISIT DAKOTAPUMP.COM

SDARWS STAFF DIRECTORY



KURT PFEIFLE

Executive Director

kpfeifle@sdarws.com
605-204-0125



MIKE MOELLER

*Technical Assistance
Training Specialist*

mmoeller@sdarws.com
605-270-4989



JEREMIAH CORBIN

Field Program Supervisor

jcorbin@sdarws.com
605-270-3894



NICK JACKSON

West River Circuit Rider

njackson@sdarws.com
605-641-4557



ROBYN BROTHERS

Office Manager

rbrothers@sdarws.com
605-556-7219



JEFF FOSSUM

East River Circuit Rider

jfossun@sdarws.com
605-201-9561



JENNIFER BAME

*Communications &
Marketing Coordinator*

jbame@sdarws.com
605-556-7219



ALLEN KOCMICH

East River Circuit Rider

akocmich@sdarws.com
605-201-6026



JIM ZECK

Training Specialist

jzeck@sdarws.com
605-201-9568



DANNY AYERS

Wastewater Technician

dayers@sdarws.com
605-291-2299



BILL THORSON

*Technical Assistance
Training Specialist*

bthorson@sdarws.com
605-201-0170



JEREMY JACOBSON

Wastewater Technician

jjacobson@sdarws.com
605-245-6488



STEVE ATTEMA

Training Specialist

sattema@sdarws.com
605-270-1766



KEVIN CHRISTENSON

*Source Water Protection
Specialist*

kchristenson@sdarws.com
605-641-1923



SOUTH DAKOTA RURAL WATER'S
ANNUAL TECHNICAL CONFERENCE

JANUARY 11-13, 2022

Pierre Ramkota Hotel & Convention Center

REGISTER TODAY!

sdarws.com/annual-conference

CLIENT MEETING ROOMS

We have a limited number of rooms available for client meetings. Call 605-556-7219 to reserve.

HOTEL INFORMATION

DAYS INN – 605-224-0411

GOVERNOR'S INN – 605-224-4200

HOLIDAY INN EXPRESS – 605-223-9045

BAYMONT INN & SUITES – 605-224-4140

PREMIER SPONSOR



SESSIONS SPONSOR

Bartlett & West

BRUNCH SPONSOR



www.sdarws.com/annual-conference.html

Holly Hoffman 2022 ATC KEYNOTE SPEAKER



Holly Hoffman was the last remaining member of the Espada Tribe and the last woman standing on Season 21 of CBS' hit reality show "Survivor: Nicaragua." Through that experience, and others throughout her life, Holly was inspired to share her message of survival.

A professional motivational speaker and the author of "Your Winner Within" and "Write Yourself a Note," Holly acknowledges that life is made up of challenges, and we are oftentimes faced with situations that seem insurmountable. But within each of us is an ability to focus our thoughts, emotions, and energy to succeed – if only we have the knowledge, tools, and discipline to do so.

A native of South Dakota, Holly's writing and speaking not only offer encouragement and optimism but a roadmap for self-discovery and spiritual enlightenment. Readers and audience members alike walk away inspired to light the fire of successful living within themselves.

Today, Holly is a member of the National Speaker's Association, a recipient of the Certified Speaking Professional designation, and travels across the country and internationally speaking to a wide variety of corporations, associations, universities, schools and women's organizations. Holly inspires her audiences to take opportunities and focus on faith, attitude, determination, confidence, desire and perseverance.

SEE HOLLY LIVE!
TUESDAY, JAN. 11TH
AMPHITHEATER II
KEYNOTE: 1:00 PM
BREAKOUT: 3:00 PM

ATTENDEE INFORMATION

MEMBER FULL REGISTRATION

\$250 - Early Bird/\$275 after 12/13
Non-Member \$340/\$365 after 12/13
Spouse - \$30

MEMBER TUESDAY ONLY

\$130 - Early Bird/\$155 after 12/13
Non-Member \$205/\$230 after 12/13

MEMBER WEDNESDAY ONLY

\$180 - Early Bird/\$205 after 12/13
Non-Member \$275/\$300 after 12/13

BRUNCH ONLY

\$30/\$35 Non-Member





**PIERRE RAMKOTA HOTEL
& CONVENTION CENTER**

920 WEST SIOUX AVENUE
PIERRE, SOUTH DAKOTA

FOR MORE INFORMATION, VISIT:
sdarws.com/annual-conference.html

SCHEDULE OF EVENTS | JANUARY 11-13, 2022

This schedule is tentative and subject to change.

TUESDAY, JANUARY 11

- 8 AM – 4 PM CONVENTION/REGISTRATION OFFICE
- 8 AM – 4 PM WATER PAC RAFFLE – LOBBY AREA
- 8:00 AM BREAK TABLE – LOBBY AREA

10:00 AM – 10:45 AM

- GALLERIES D-E FUSION DEMONSTRATION FOR SMALL-DIAMETER HDPE PIPE
– David Mosier, Core & Main
- GALLERY F WATER QUALITY IN THE BIG SIOUX RIVER: WHAT WE KNOW TODAY
– Jay Gilbertson, East Dakota Water Development District
- GALLERY G THE INVISIBLE ELEPHANTS OF GIS: PLANNING BEYOND INTERNAL ASSET
– Frank Parker, Banner Engineering, Inc.

10:45 AM – 11:30 AM

- GALLERY D-E SANITARY PROBLEMS IN STORAGE
– Clyde H. Zelch, Tomcat Consultants, LLC/T.A.P. Company
- GALLERY G CASHING IN ON YOUR COMPREHENSIVE FINANCIAL PLAN
– Sarah Sesselman, AE2S
- LAKE SHARPE B QUALITY ON TAP! EDITORIAL BOARD MEETING
– Jennifer Bame, SDARWS

This closed meeting is for Rural Water Systems who are interested in, or currently participate in the Quality on Tap! magazine produced by South Dakota Rural Water. Rural water managers, staff, and board members are invited to attend.

11:30 AM - 1:00 PM BREAK FOR LUNCH - ON YOUR OWN

1:00 PM – 2:30 PM

- AMP. II OPENING SESSION
– Welcome, Ron Gillen, SDARWS President
– National Anthem/Pledge of Allegiance
– AE2S Sponsor Message
– Keynote Address, Holly Hoffman

2:30 PM - BREAK TABLE RAMKOTA CONVENTION CENTER LOBBY

3:00 PM – 3:45 PM

- AMP. II KEYNOTE BREAKOUT
– Holly Hoffman
- GALLERIES D-E WATER TOWER SERVICE AGREEMENTS AND TANK MAINTENANCE
– Michael Novitzki, KLM Engineering, Inc.
- GALLERY F STURGIS: MORE THAN A MOTORCYCLE RALLY!
– Dustin Dale, AE2S
- GALLERY G COMMUNICATION WITH YOUR CUSTOMERS
– Brian Cooper, Maguire Iron
- LEWIS & CLARK ZEBRA MUSSEL CONTROL
– Tim Donovan, Hawkins
- L. FRANCIS CASE SYSTEM WATER CONSERVATION
– Rachel Kloos, ISG Inc.

3:45 PM – 4:30 PM

- GALLERIES D-E SMALL SYSTEM PLANNING FOR CAPITAL IMPROVEMENT PROJECTS
– Clint Powell, Brosz Engineering
- GALLERY F BIO-AUGMENTATION & AQUATIC PLANTS
– Gary Syverson, Team Laboratory Chemical Corp.
- GALLERY G ON-SITE SODIUM HYPOCHLORITE GENERATION: A SAFE & RELIABLE DISINFECTION ALTERNATIVE TO BULK SODIUM HYPOCHLORITE & GAS CHLORINE
– Jeff Rhodes, UGSI Solutions
- LEWIS & CLARK AMMONIA IN YOUR WATER - WHAT NOW?
– Julie Sievers, ISG
- L. FRANCIS CASE TURBIDITY OR CHLORINE MEASUREMENT
– Brian Wilson, HF Scientific

PREMIER ATC SPONSOR



WEDNESDAY, JANUARY 12

8 AM – 4 PM CONVENTION/REGISTRATION OFFICE

8 AM – 4 PM WATER PAC RAFFLE – LOBBY AREA

ANNUAL MEETING – 8:15 AM

AMP. I 47TH ANNUAL MEMBERSHIP MEETING

– Ron Gillen, SD Rural Water President

This is the Official Membership Meeting of the South Dakota Association of Rural Water Systems. Delegates and Alternates are encouraged to attend. Pre-assigned seating arrangements have been reserved based on number of voting members per system.

8:00 AM – 8:45 AM

AMP. II UNIQUE TWO-STAGE FILTRATION APPROACH FOR IRON, MANGANESE, & AMMONIA REDUCTION

– Darin Schriever, P.E., DGR Engineering

LEWIS & CLARK DISTRIBUTION NETWORK THM MITIGATION IN CONSECUTIVE & WHOLESALE WATER SYSTEMS

– Jeff Rhodes, USGI Solutions

L. FRANCIS CASE THE PATH TO A MORE SUSTAINABLE FUTURE – BDM RURAL WATER SYSTEM

– Brian Bergantine, AE2S, and Rod Kappes, BDM

8:45 AM – 9:30 AM

AMP. II TARGETING WATER PROBLEMS

– Craig Steve, IXOM Watercare

LEWIS & CLARK MOBILE VS. FIXED NETWORKS

– Dan Van Overbeke & Jim Urban, Mueller

L. FRANCIS CASE ENHANCING THE BENEFITS OF HYDRAULIC MODELING THROUGH AMR METERS

– Greg Hansen, P.E., AE2S

9:30 AM - BREAK TABLE

RAMKOTA CONVENTION CENTER LOBBY

10:00 AM – 10:45 AM

AMP. II HDPE IS MUNICIPAL WATER AND SEWER APPLICATIONS

– Richard Kolasa, WL Plastics

LEWIS & CLARK EXTENDING THE LIFE OF YOUR WATER STORAGE TANK WITH MAINTENANCE, OPERATIONS AND COATINGS

– Larry Kirschmann, NACE I & II, Bartlett & West

L. FRANCIS CASE YOU HAVE THE DATA, NOW USE IT TO MAKE BETTER INFORMED CAPITAL PLANNING DECISIONS

– Trevor Datwyler, P.E., AE2S

RURAL WATER CENTER – 10:00 AM

AMP. I RURAL WATER CENTER ANNUAL MEETING

This is the Official Membership Meeting for Rural Water Center

10:45 AM – 11:30 AM

AMP. II FILTER MEDIA REPLACEMENT CONSIDERATIONS AND IMPACTS

– Julie Sievers, ISG

LEWIS & CLARK HABS: HARMFUL ALGAL BLOOMS

– Josh Strobel, DANR

L. FRANCIS CASE MODERNIZING SCADA TO IMPROVE THE OPERATOR EXPERIENCE

– Cullen Wells, AE2S

11:30 AM - 1:00 PM BREAK FOR LUNCH - ON YOUR OWN

1:00 PM – 1:45 PM

AMP. I LEGISLATIVE PANEL

– Staff of Senator Thune, Senator Rounds, and Representative Johnson

AMP. II ARP

– Mike Perkovich, DANR

LEWIS & CLARK WATER TANK WINTER OPERATIONS

– Richard Kemmis, Maguire Iron

L. FRANCIS CASE CASHING IN ON YOUR COMPREHENSIVE FINANCIAL PLAN

– Sarah Sesselman, AE2S

**Bartlett
& West**

**EDUCATIONAL
SESSIONS
SPONSOR**

WEDNESDAY, JANUARY 12

1:45 PM – 2:30 PM

- AMP. II REGULATORY UPDATE
–Mike Perkovich, DANR
- LEWIS & CLARK A DAY IN THE LIFE OF A PUMP TECH
–Darin Waldner, Dakota Pump & Control
- L. FRANCIS CASE OPTIMIZING RURAL WATER USER SIGN-UP THROUGH GIS
–Dan Lissick, AE2S

2:30 PM - BREAK TABLE | LOBBY
SPONSORED BY BUTLER MACHINERY

3:00 PM – 3:45 PM

- AMP. I SD LEGISLATIVE SESSION PREVIEW & RALLY ORIENTATION
–SDARWS
- AMP. II ADVANTAGES OF ASBUILT
–Jim Sebert, Dakota Pump, Inc.
- LEWIS & CLARK VALVE & HYDRANT OVERVIEW
–Sawyer Heidesch, AVK
- L. FRANCIS CASE SDWARN UPDATE
–Brad Lawrence, SDWARN Chair

4:00 PM - 8:00 PM

- GALLERIES D-G EXHIBIT HALL & LEGISLATIVE RECEPTION
RURAL WATER TASTE TEST FINALS @ 7:30 PM
WATERPAC WINNERS ANNOUNCED @ 7:45 PM

THURSDAY, JANUARY 13

8:00 AM – 9:30 AM

- GALLERY D-E SOUTH DAKOTA LEGISLATURE OPEN FORUM

9:00 AM – 11:00 AM

- GALLERIES A-C SOUTH DAKOTA RURAL WATER ANNUAL AWARDS BRUNCH

DGR
ENGINEERING

AWARDS
BRUNCH
SPONSOR

DOES YOUR
SYSTEM HAVE
THE BEST
DRINKING WATER
IN SOUTH
DAKOTA

ENTER THE RURAL WATER TASTE TEST CONTEST!

RULES:

- Bring your sample to the SDARWS ATC registration desk by 2:00 PM on Tuesday, January 11th, 2022
- Samples must be submitted in a glass jar quart size or larger labeled with your system name.
- No water system can represent more than one entry from their system.
- Systems submitting samples must be members of SDARWS and meet DENR approval by having no violations of bacteriological testing or chemical monitoring for two years prior to the Taste Test.

JUDGING CRITERIA:

A panel of judges will be selected to choose the winners. Judges will consider:

- Taste
- Clarity
- Odor



PRIZES:

First place will represent all of South Dakota in the National Drinking Water Taste Test in Washington, DC in February 2023, an art-glass trophy, two Full-Conference registration passes for the 2023 Annual Technical Conference, recognition in *ServiceLine* magazine, and bragging rights for the next year!

EFFECTIVE SOLUTIONS TO REDUCE WATER LOSS.

Make us prove it.

Our enterprise solutions can not only handle your customer management and billing, accounting and work management needs, when paired with our other solutions like UtiliSuite GIS and Orbit Meter Data Management, we can help you identify and locate water leaks, meter inaccuracies, unauthorized consumption, billing errors and more.



Intelligent Solutions for Tomorrow's Utilities



**Professional
Computer
Solutions**



Nate Houston
Regional Business Developer
nate.houston@pcs-csa.com

888-843-3106 • www.pcs-csa.com



Bridging the gap
between idea +
achievement



Sioux Falls 605.977.7740
Rapid City 605.791.6100

hdrinc.com

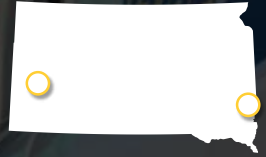
The Leading Distributor of Water, Sewer & Storm Drain Products & Services



WE'RE ALL ABOUT

South Dakota

When you need dependable service in the middle of the night, the eye of the storm or the center of town, you need the waterworks experts at Core & Main.



Sioux Falls
2101 E 54th St N
(605) 339-2814

Rapid City
2808 E Highway 44
(605) 716-9427

- FUSIBLE PIPING
- METERING AMR/AMI
- TREATMENT PLANTS
- STORM DRAIN
- PUMPING

Local Knowledge | Local Experience | Local Service, Nationwide®

coreandmain.com

PASD20190529

SPN & ASSOCIATES

ENGINEERS SURVEYORS GIS SERVICES
Schmucker, Paul, Nohr and Associates

2100 N. Sanborn Blvd – PO Box 398
Mitchell, SD 57301
Phone (605) 996-7761
FAX (605) 996-0015
www.spn-assoc.com

Water • Wastewater • Storm Water • Streets
Airports • Solid Waste • Animal Waste
Land Surveying • Site Development
Geographic Information Systems (GIS)



**ENGINEERING EXCELLENCE
SINCE 1961**

SOUTH DAKOTA RURAL WATER LEADERSHIP SEMINAR

HIGHLIGHTS



Name choices

- Captain's Log
- Clingy Dinghy
- Kerplunk
- S.S. Dookie
- The Floater

Scan here to vote

BOAT NAME GOES HERE

Winner announced at the ATC!

NAME OUR BOAT!

Voting closes December 20th!




SIMPLY SEALS!

Rated to 305 psi

FORD



MJTS

MJSC


MJBE

No field trimming required!

- Tapping Sleeves
- Couplings
- Bell Joint Encapsulators

Fully encapsulated for the most challenging applications.

260-563-3171 • fordmeterbox.com




Products & Services Portfolio

The Power of Association

Only the National Rural Water Association can bring together this unique Products & Services Portfolio designed to meet the needs of utilities.

Call 800-545-1054 for more information or visit nrwa.org!

*Availability may be limited in some states.



MIDCONTINENT

TESTING LABORATORIES, INC.

- State-certified for **DRINKING WATER** and **WASTEWATER** testing
- Custom pre-printed sample forms save you time
- Setting the pace for analytical testing & customer service
- Our batch SOC testing can save you \$\$\$ in testing costs
- **FAST SERVICE!** Check your results online by logging on @ www.TheChemistryLab.com



2381 S. Plaza Drive P.O. Box 3388 Rapid City, SD 57709
Phone 605-348-0111 • FAX 605-721-0265

CLOGGED PUMPS?

Tackle wipes and large debris with these solutions from USABlueBook!

FOR SMALLER APPLICATIONS AND LIFT STATIONS

FlowRake Rag Catchers

USABlueBook
EXCLUSIVE

OPERATOR
DESIGNED



FOR LARGE MUNICIPAL LIFT STATIONS

StationGuard Manual Bar Screens

OPERATOR
DESIGNED



We also offer non-clog sewage and chopper pumps.
LEARN MORE! usabluebook.com/NoMoreClogs

USABlueBook[®]
GET THE BEST TREATMENT™

800.548.1234 • usabluebook.com



**Bartlett
& West**

Engineering water solutions for community growth.

Clean, safe and reliable water is a basic building block of a modern community. Residents and industry depend on your system. You need proactive communications regarding system needs and innovative, comprehensive solutions. As a national leader with long-time relationships in water-focused services, Bartlett & West is your ally for success.

5900 S. Western Ave., Ste. 101 ■ Sioux Falls, SD
(888) 200-6464 ■ www.bartlettwest.com



Remembering Jerry Hemeyer

It is with great sadness that we announce the passing of Jerry Hemeyer. Jerry was a valued employee of the South Dakota Association of Rural Water Systems for 27+ years, and he was our very first Wastewater Technician. He retired from SDARWS in 2018, and was kind enough to come out of retirement to assist us for a few short stints in 2019 and 2020. Jerry was a valued member of our rural water family and he will truly be missed.

Jerald (Jerry) Lynn Heymeyer was born on July 1, 1952, in Mitchell, SD, to Clarence (Bud) and Maxine (Kenyon) Hemeyer. At the age of 69, Jerry entered his Heavenly home on November 3rd after a battle with cholangiocarcinoma (bile duct cancer). Jerry grew up on a farm near Stickney, SD, and graduated from Stickney High School in 1970. On April 27, 1985, Jerry married Julie Schnabel at Emmaus Lutheran Church in Tripp, SD. Added to this union were three children, Heather, Kyle, and Carrie. Family meant everything to Jerry, and he made every effort to support his kids in all of their activities. In 1991, Jerry started his decorated 27 year career as the Wastewater Technician for South Dakota Association of Rural Water Systems where he enjoyed traveling the state helping small towns with wastewater issues. He loved his career and made many great friends from across the state. Jerry also served many different roles in the Gregory community. He served as a city councilor, member of the Gregory Athletic Club, volunteer firefighter, and an active member of St. John's Lutheran Church.

Jerry had many hobbies and was known to help anyone he could. He loved helping neighbors and could fix just about anything. Jerry enjoyed hunting with his kids, umpiring and

watching baseball, fishing with his kids and grandkids, woodworking, and adventuring with Julie in the Black Hills with their side-by-side. He also was an avid supporter of the Gregory Gorillas and Burke-Gregory Storm wrestling team.

Jerry is survived by his wife of 36 years, Julie and their three children, Heather (Warren) Bender of Pickstown, Kyle (Megan) Hemeyer of Aberdeen, Carrie (André) Zachariahs of Sioux Falls; six grandchildren: JeriAnn and Paetyn Bender, Israel, Theodore, Elijah and Oliver Zachariahs; one sister, Gwen (Gerrit) Norden of Corsica; one brother, Bert Hemeyer of Sioux Falls; one brother-in-law, Larry Bohr of Pierre; and many nieces, nephews, neighbors, and friends.



He was preceded in death by an unborn child; his parents, Maxine and Clarence (Bud) Hemeyer; a brother, Stanley Hemeyer; a sister, Lila (Hemeyer) Bohr; and in-laws, Maynard and Wilma Schnabel.

Funeral Services for Jerry Hemeyer, 69, of Gregory, South Dakota, were held on Saturday, November 13, 2021 at St. John Lutheran Church, Gregory, SD,

with Pastor Marcus Ring officiating. A Prayer Service was held Friday evening at the church. Music was provided by Melanie Hannahs, organist. Jerry's nieces were in charge of registration.

Casket Bearers were Matt Wiederrich, Lawson Bohr, Eric Norden, Jeff Norden, Doug Walz, and Marv Braun.

Honorary Casket Bearers were Jerry's friends at South Dakota Association of Rural Water Systems.

Burial was in the Pleasant View Cemetery, Tripp, SD. ♦



When It Comes To Waterworks, There Can Be A Lot of Pressure.



To succeed, you need a partner that makes your job easier. With Dakota Supply Group, you get more than just pipe and products:

- ▶ Contact us today to learn more about how we can help you.

DSG
DAKOTA SUPPLY GROUP
For all the right connections!

FARGO, ND ▶ [800] 342-4676
BISMARCK, ND ▶ [855] 337-9258
SIOUX FALLS, SD ▶ [800] 660-5531
RAPID CITY, SD ▶ [800] 660-5538
BURNSVILLE, MN ▶ [800] 325-0514

www.dakotasupplygroup.com

From our very beginning we've focused on **WHAT'S IMPORTANT...**

To us, your project isn't a job - it's an opportunity to make a positive impact, protect future generations, and ensure the vitality of where we live and work.

THINK BIG. GO BEYOND.



Providing engineering and related services to help clients achieve success.



Advanced Engineering and Environmental Services, Inc.

www.ae2s.com



A Changing of the Seasons...

Bill Thorson, Training & Technical Assistance Specialist

They say the only constant is change. Change can be good, and change can be not so good. That is why most people resist change, mostly because of the unknown. Everyone has heard the saying, “We’ve never done it that way before, so why change it now?” Changes happen whether we like them or not. Weather changes. Temperatures change. Attitudes change. People change. Job duties change.

There has been a significant change in the workforce lately. I am talking statewide, not nationwide. Many water/wastewater industry folks have retired or are looking at retirement in the coming months or years. Folks who have been in the same position for many years now feel it is time to move on and do something different for a change.

New faces and names come across the wire almost weekly. It is fun and exciting to meet and learn about who is coming into the industry. For many of these workers, it is the first time they’ve considered a career in water or wastewater. Up until now, they’ve had little knowledge of the upfront duties, not to mention the behind-the-scenes responsibilities. It is fun to watch the amazement and astonishment of these newbies learning about what needs to be done every day and month in a system. There are also others moving up into positions they have looked at as easy, but it only looks easy from the outside. Some of you make it look like a cakewalk to do what you do every day.

If you had told me just four short years ago what I am doing

today, I would have said, “Yeah, right! Not likely! Things don’t change that fast.” Things do change, and it is often sad to see some changes as we like to hold onto traditions and customs so we can hold onto the past and not change the future. Many times, change is for the better; progress they call it. We don’t always embrace it right away. It takes time to get used to or become comfortable with changes.

So, if you have not retired just yet, look for someone to take your place. Teaching the fine art of doing your job can take a little time, so get started sooner than later. If you have retired or are retiring soon, I congratulate you on a job well done. Not everyone can do the job you do every day. Look back on the changes you made to improve the position and the system you worked for and embrace the knowledge that someone will make changes as needed to keep up that good work. As always, stay safe! ♠



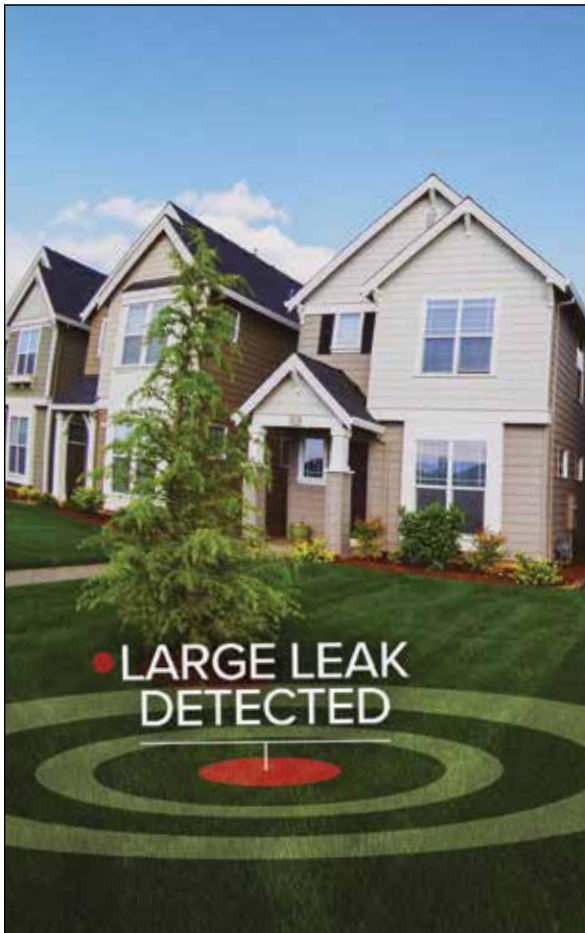
BILL THORSON joined the SDARWS staff in March of 2018 as a Wastewater Tech. Bill transitioned to Trainer/Technical Assistance Specialist with SDARWS in October of 2019. Bill previously was employed with the City of Canton as Public Works Director for nine years and water/wastewater operations specialist for 19 years. Bill holds Class II certifications in Water Treatment, Water Distribution, Wastewater Treatment, and Wastewater Collection. Bill is NASSCO certified in pipeline and manhole inspections. Bill is also an SDWWA board member.



Sustainable Water Solutions

Protecting, preserving, and improving your water resources now and in the future.

Architecture + Engineering + Environmental + Planning | ISGInc.com | Sioux Falls, SD | 605.274.6401



INDUSTRY LEADING BRANDS FROM THE INDUSTRY LEADING SUPPLIER.

We carry cutting-edge metering technology—capable of not only monitoring regular water usage, but identifying major leaks, backflow and potential tampering. To save time, money and resources, trust in metering solutions from Ferguson Waterworks. **For more information, email meters@ferguson.com**



BISMARCK | FARGO | SIOUX FALLS
FERGUSON.COM/METERS

© 2020 Ferguson Enterprises, LLC 02201773833



WHAT IS YOUR SIGN?

Jeff Fossum, Circuit Rider

This last week, I was driving across the great state of South Dakota when I came to a stop at a stop sign that had a yellow information sign under the stop sign. I know I had seen this sign before and did not give it a second thought, but this time the message printed in the yellow just hollered at me. I don't know if it's because of the drivers that I had been coexisting on the road that day or what, but this sign spoke to me. Maybe you have also seen this sign and just read it as I have? If you have not figured out what I am talking about, under the sign, it reads, "Cross traffic does not stop!" I thought, well, if that's the case, nobody on the road today will stop! After a while, I thought about the sign and the intention of the written information: that the road intersection is only controlled from the direction I am going, not what I read; if you are crossing, you don't need to stop!

We in the water world need to stay sharp and keep going in the right direction at the top of our game. We need training. We need to know what's new. What will help me do my job more efficiently? For example, every Circuit Rider is required to attend training sessions at In-Service and WaterPro. My question to you? What are you doing to stay informed and move in a forward direction? How are you staying at the top of your field? Are you placing yourself to be educated before the important meeting, or are you stopped and wasting everyone's time by waiting until you need to know?

SDARWS offers a multitude of classes for water certification, wastewater certification, and safety training. For those operators who need contact hours to keep their certification intact, the contact hours are good, but communicating with other operators at training events is also just as beneficial. The operators share the troubles and lessons their system taught them, so each operator does not need to experience the same lesson. Board members also need training to know what their job entails - and we offer training for that, too. This January 11 - 13, 2021, South Dakota Rural Water's Annual Technical Conference (ATC) in Pierre, SD. This is the big training event to start off the new year - and brings together operators and board members! Check the schedule on pages 12-14 and call your friends in the profession and tell them to join you. I hope to see you at the ATC or one of the other training sessions that we offer to make sure you are going in the right direction and not the cross traffic that does not stop! 💧



JEFF FOSSUM joined the SDARWS staff in February 2018, as a Circuit Rider. He previously worked for 32 years at the City of Canton, SD as the Water/Wastewater Superintendent. Jeff holds a Class II Water Treatment, Class II Water Distribution, Class II Wastewater Treatment and Class II Wastewater Collection. His interests include gardening, woodworking and talking.

Household leaks can waste nearly
900 billion gallons
of water annually, nationwide.* That's equal
to the annual household water use of nearly
11 million homes.

Running a water system can be complicated.
Customer leaks don't have to be.



*epa.gov

Did you know?

ServLine offers important protection for homeowners:

- Provides solutions to address water loss and water line breaks
- Offers financial protection from the unexpected high cost of water leaks
- Helps to recover lost revenue
- Improves customer satisfaction



www.servline.com • 1-833-938-2193 • ServLine@homeserveusa.com

WATER TOWER EXPERTS



(605) 334-9749 | MAGUIREIRON.COM | [f](#) [t](#) [i](#) [i](#)

EXTEND THE
LIFE OF YOUR
WATER TANK

TANK MAINTENANCE & NEW TANKS

- Full-Service and Custom Tank Maintenance Plans
- Interior/Exterior Tank Painting
- Interior/Exterior Sandblasting and Containment
- Interior/Exterior Tank Inspections
- Lead Abatement
- Interior Tank Cleaning and Disinfection
- Custom Tank Logos
- Chemical Cleaning
- Tank Mixing Systems
- 24-Hour Emergency Services



CHAD EDWARDS

South Dakota Water Tower Expert
(605) 759-4957 | edwardsc@maguireiron.com



WHY FLUSHING YOUR WATER MAINS IS IMPORTANT

Mike Moeller, Training & Technical Assistance Specialist

You may be driving through your community or out in a rural area and see a water operator standing by a fire or flush hydrant with water blasting out of it and wonder what are they doing and why are they just letting all that water run on the ground? The answer to that question is they are flushing the water mains in that portion of the water system.

When water enters your water system, from whatever source your system gets its water from, it is high-quality water, and you want to maintain that same quality while it is in your drinking water system. Water lines over time can build up with minerals and sediments left behind in the pipes; these minerals and sediments can and eventually will affect water quality. The answer to keeping these sediments from building up is to flush the water mains. Flushing the water mains allows the water to pass through the pipes at a rapid rate which in turn scours the inside walls of the pipe and breaks the minerals and sediments loose, and then they are carried to the flushing point and removed from the water main. 💧



MIKE MOELLER has worked for SDARWS since 2014. He previously worked at Dakota Pump and Control for five years, and served 30 years with the South Dakota National Guard. Mike also holds an Advanced Safety Certificate from the National Safety Council.



HRGreen®



Providing water and wastewater services for more than a century.

▷ 431 N. Phillips Ave, Suite 400
Sioux Falls, South Dakota 57104-5933
Phone 605.334.4499

▷ HRGREEN.COM

TRANSPORTATION + WATER + GOVERNMENTAL SERVICES
LAND DEVELOPMENT + ENVIRONMENTAL + CONSTRUCTION



Chemicals, Equipment and Service for
Safe, Clean Water



Celebrating over 80 years of serving our customers!

WATER TREATMENT

- Potable Water
- Raw Water Clarification
- Swimming Pools
- Wastewater Treatment
- Bioaugmentation Solutions
- Sludge De-Watering
- Waste Settling Aids
- Collection Systems

EQUIPMENT

- Chemical Injection Pumps
- Control and Monitoring Systems
- Chlorination Control Systems
- Chemical Feed Equipment

Black Hawk, SD
605-787-6881

Sioux Falls, SD
605-368-5793

Fargo, ND
701-293-9618

Washburn, ND
701-462-8588

800.328.5460

www.hawkinsinc.com
email: wtg@hawkinsinc.com



Annual Technical Conference | January 11-13, 2022

The ATC is the annual conference of the South Dakota Association of Rural Water Systems, and is the largest water/wastewater conference in South Dakota. This event is designed to bring together water and wastewater utility systems – both large and small, municipal and rural – for sessions in operations, management, boardsmanship and governance. This conference is held every year during the first week of the South Dakota Legislative session in Pierre, SD and hosts over 500 attendees.

To learn more, visit www.sdarws.com/annual-conference.html or email atc@sdarws.com

Pierre Ramkota Hotel & Convention Center
920 W Sioux Ave. • Pierre, SD • 605-224-6877



Rural Water EXPO | April 26-27, 2022

The EXPO is open to all water and wastewater utility staff, board/council members, engineers, State and Federal employees. The training will consist of twenty presentations, 30 minutes each, thus allocating ten contact hours for those individuals who are licensed operations specialists. Along with the training sessions, the EXPO will showcase many of our industry's manufacturer and supplier leaders. Many will be displaying the recent advances in technology our industry has witnessed over the past several years.

To learn more, visit www.sdarws.com/rural-water-expo.html or email expo@sdarws.com

Holiday Inn Rapid City - Rushmore Plaza
505 North Fifth Street • Rapid City, SD • 1-605-348-4000



Rural Water Fishing Tourney | April 29-30, 2022

The Annual Rural Water Warriors Fishing Tournament takes place at the Outpost Lodge on Cow Creek Bay in 2022. Teams consist of 2-3 people with at least one person who is a current water/wastewater, associate member or corporate partner of the SDARWS. This tournament is limited to 50 teams. There is an eight fish maximum per boat with the largest seven fish weighed, and all South Dakota fishing regulations must be followed. A mandatory rules meeting is held at 8:00pm the night before the tournament.

For more information, visit www.sdarws.com/fishing-tournament.html or email fishing@sdarws.com



Rural Water Open Golf Tourney | July 19, 2022

The Annual Rural Water Open will take place at the Elmwood Golf Course in Sioux Falls. This tournament is open to Utility Members, Associate Members, and Corporate Partners of SDARWS. Registration is \$75/player and includes golf, cart, lunch, and awards.

For more information, visit www.sdarws.com/golf-tournament.html or email golf@sdarws.com

Elmwood Golf Course
2604 W. Russell St • Sioux Falls, SD • 605-367-7092



Leadership Seminar | November 9-10, 2022

This seminar is geared towards Rural Water System Directors and covers a gamut of topics pertaining to rural water boards.

For more information, visit www.sdarws.com/leadership.html or email jcorbin@sdarws.com

Pierre Ramkota Hotel & Convention Center
920 W Sioux Ave. • Pierre, SD • 605-224-6877



Your number one source

Top providers of creative water and wastewater solutions with over 75 years of combined experience.



treatmentresources.com • 612 702-2692



800-211-6432
www.electricpump.com

115 Lipton Street
Suite B
Tea, SD 57064

402-333-9660
www.mc2h2o.com



CERTIFICATION PRACTICE QUESTIONS

1. Which of the following would be a probable measure for reducing inflow into an existing sanitary wastewater collection system?
 - a. Enforcing ordinances that require roof drains to be discharged into street gutters or to storm drains
 - b. Grouting cracks and joints in sewer lines
 - c. Sewer balling during wet weather
 - d. Install larger pumps at the lift station
2. Which one of the following is not a cause of infiltration?
 - a. Cracked pipes
 - b. Slip liners
 - c. Poor joints
 - d. Improper taps
3. Of the following chemicals, which is frequently fed into sewers to control hydrogen sulfide problems?
 - a. Hydrofluosilicic acid
 - b. Hydrogen peroxide
 - c. Sodium sulfate
 - d. Trinitrotoluene
4. A device for screening and cutting up solids in wastewater is called a
 - a. Parshall screen
 - b. Digester
 - c. Comminutor
 - d. Venturi
5. Which of the following types of sewer pipe materials can be corroded by acids formed from gases found in sewers?
 - a. Polyvinylchloride (PVC)
 - b. Reinforced concrete pipe
 - c. Reinforced plastic mortar pipe
 - d. Vitrified clay pipe
6. Septic conditions can develop because of
 - a. High Flows
 - b. Low flows
 - c. Too much dissolved oxygen
 - d. Low BOD
7. All of the following statements about root problems in wastewater collection systems are true except
 - a. Chemical root control is a better long term solution than power rodding
 - b. Each time a root is cut, it will add new growth and increase in diameter
 - c. In time, serious root problems can damage pipes and joints
 - d. Power rodding is the best long term solution for root control problems
8. If another industry discharges 1,035.3 lbs of BOD per week, what is the population equivalent of that industry?
 - a. 87,000
 - b. 8,700
 - c. 870
 - d. 87
9. The minimum safe level for oxygen in a confined space is
 - a. 15.6
 - b. 19.5
 - c. 21.0
 - d. 23.0
10. A flow of 0.25 cubic feet per second (cfs) is equivalent to
 - a. 1.9 gpm
 - b. 15 gpm
 - c. 112 gpm
 - d. 437 gpm

1. A; 2. B; 3. B; 4. C; 5. B; 6. B; 7. D; 8. C; 9. B; 10. C

STRUCTURE. & INTEGRITY.

PITTSBURG TANK & TOWER GROUP
 An ESOP Company Since 1919
 "100 years and still climbing"



CREWS AVAILABLE GLOBALLY



WWW.PTTG.COM

	INSPECTIONS	REPAIR	TANKS
	Wet Dry ROV In-Service Cleaning	Code Updates Paint Insulation	Elevated Ground Relocation Erection Dismantles
	NEW TANKS - Rick DiZinno (270) 826-9000 ext. 2601		EXISTING TANKS - Jordan Pyles (270) 826-9000 ext. 4601



THEINWELL

- WELL DRILLING
- PUMP SALES/SERVICE
- WELL REHABILITATION
- WELL ABANDONMENT
- GEOTHERMAL
- WELL TELEVISION
- GEOPROBING
- SOIL BORINGS
- MONITOR WELLS
- REMEDIATION WELLS
- ROCK CORING
- GAMMA/E LOGGING

24 Hour Emergency Service
 1-800-450-8000
www.theinwell.com



QUICK & EASY FINANCING SOLUTIONS



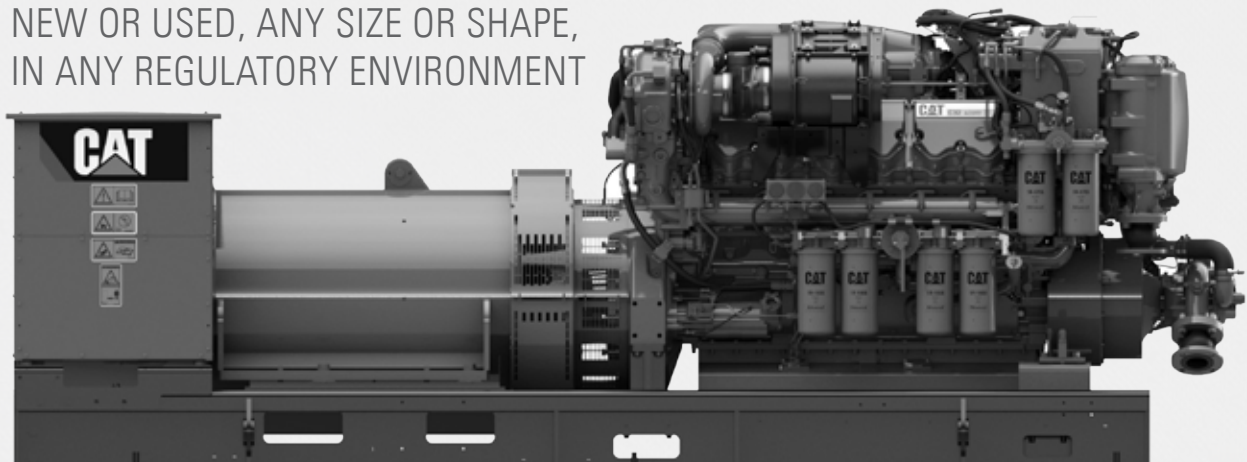
www.cobank.com/h2oloan

844-846-3135

Proud Member of the Farm Credit System 

WHEN YOU
NEED POWER WE
THERE FOR YOU. ARE

NEW OR USED, ANY SIZE OR SHAPE,
IN ANY REGULATORY ENVIRONMENT



877.365.8114
BUTLERMACHINERY.COM

Butler 



APRIL 29-30, 2022
FORT PIERRE, SD



SCAN HERE
TO REGISTER

MANDATORY RULES MEETING

7:00 PM CT on Friday, April 30th
in the Outpost Lodge Event Center

TOURNAMENT DETAILS

\$150 Team Registration

Saturday, May 1, 2021

Cow Creek Boat Ramp

7:00 AM - 3:00 PM

Meal Provided following the tournament

PRIZES

\$1,000 prize for first place

Other payouts depend on participation

ROOM BLOCK

Outpost Lodge on Cow Creek Bay

28229 Cow Creek Rd, Pierre, SD 57501

605-264-5450 • theoutpostlodge.com

Cabins and campsites available at the tournament location

TOURNAMENT RULES

- Teams to consist of 2-3 people with at least one person who is a current water/wastewater, associate or corporate member of South Dakota Rural Water.
- This is a boat-only tournament.
- Tournament begins at the Cow Creek Boat Ramp on Saturday, May 1, 2021 from 7:00 AM - 3:00 PM.
- Participants may fish above or below the dam (Lake Sharpe or Lake Oahe)
- Boat inspection prior to start.
- South Dakota fishing regulations must be followed.
- Weigh-ins start @ 3:30 PM.
- Walleye tournament; largest seven walleye weighed per team.
- All judges rules are final.
- In case of a tie, the team with the biggest fish by weight wins.
- Tournament winners announced shortly after weigh-in results are compiled.
- Meal to follow at the event center @ 5:00 PM.

For more information, contact Mike Moeller, SDARWS Tournament Chair
605-270-4989 • mmoeller@sdarws.com

REGISTER ONLINE AT SDARWS.COM/FISHING.HTML

REGISTRATION DEADLINE: APRIL 22, 2022



FROM THE EXECUTIVE DIRECTOR

KURT PFEIFLE, EXECUTIVE DIRECTOR

Much of the learning we do in rural water is through attending conferences. While some people dread spending X-number of days listening to speakers because their boss made them, or feel forced to attend because they drew the short end of the straw at the board meeting, there is no reason to keep this attitude. A conference is like a one-stop-shop for everything pertaining to your industry. Where else you can you attend educational sessions, network with other professionals, and meet with vendors who may have the perfect product to make your job easier? Plus, it's always nice to get out of the office for a few days – and hopefully you'll go back to work refreshed and motivated to do your job better! Below are 10 ways to get the most out of attending a conference.

1. READ THE AGENDA AND PLAN OUT WHICH SESSIONS TO ATTEND IN ADVANCE

You may not be able to attend a session in every time slot, so prioritize the ones you most want to attend. If you are attending with others from your system, split up for sessions. Splitting up will maximize how much you're able to learn and ensure that each of you has unique insights to take back to your system. Additionally, stay away from the sessions you could almost teach yourself, and try to attend sessions on topics you have not yet mastered.

2. GET A LIST OF EXHIBITORS

Read the exhibitors list ahead of time and make a list of people and companies you want to speak with. In a large exhibit hall, you may get overwhelmed and never make it to the people you most want to speak to.

3. PARTICIPATE IN THE SESSIONS YOU ATTEND

Don't be shy about questioning the speakers about points you're especially interested in, or would like clarified. Speakers thrive on an engaged audience – there's nothing worse for a speaker than talking to a silent room. Don't forget to take notes – after attending hours of sessions a day, it is easy to forget what you've learned (those hotel notepads do come in handy!)

4. BRING BUSINESS CARDS

While you may not use business cards in the rest of your work life, you may go through dozens at a conference when you're meeting new people. You'll probably also collect dozens too, so make sure to make a few notes on the back of each so you can remember who each person is when you get back to the office.

5. PUT AWAY YOUR SMARTPHONE

You are at the conference to interact with people, and you

don't want your electronic devices to become a barrier against making new connections. Put your phone back in your pocket while you're waiting for a session to begin, or while taking a break in the hallway. You'll look more approachable without an electronic device in the way, and you can take the time to strike up a conversation with other attendees.

6. NETWORK!

Get to know other people who have the same type of job as you. Chances are you'll be sitting by these people during the conference sessions. Take the time to interact with others and exchange information – this is a great way to develop contacts and learn how other systems operate. Much of the learning during conferences happens in the hallways between peers. The people you'll attend sessions with are as important as the sessions themselves.

7. WEAR COMFORTABLE SHOES

Chances are you are going to do a lot of standing around talking to people, and you might even end up standing in some sessions if they are packed. If the conference is in a large hotel or space, you'll do a lot of walking to get around.

8. SOCIALIZE

While it may be tempting to spend your evenings watching Pay-Per-View in your room, a lot of networking happens in the evening – often spontaneously. It is also beneficial to socialize with your co-workers who are attending with you. Building friendly relationships with those you work closely with helps foster team-building and can make your work life more manageable.

9. FOLLOW-UP

When you get back from the conference, follow up with the people you met. Email them to let them know you enjoyed meeting them, and perhaps reference something you talked about. Make sure to set up a phone call or face-to-face meeting with anyone you specifically want to do business or build a relationship with.

10. SHARE YOUR KNOWLEDGE

Hopefully you gained a lot of new information, inspiration, and contacts during your time at the conference. One of the best things you can do post-conference is to share those resources with your fellow co-workers and colleagues. Send out videos of the sessions you thought were valuable, give a talk about something you learned at your next staff meeting, and tell your boss about some of the contacts you made. Hopefully your colleagues will do the same the next time they attend a great conference. 💧



Trusted. Professional. Solutions.

At DGR Engineering, we know about water and how important it is to everyday life. After all, we've been working with it for over 65 years. We provide our clients with solutions they can trust, covering all types of water issues from supply, treatment, storage and distribution, to wastewater treatment, collection, lift station and sewer rehab.

Call us today to discuss solutions for your next project.



Sioux Falls, SD
Rock Rapids & Sioux City, IA
800-446-2531



COMMITTED TO MAKING YOUR WORKPLACE SAFER

We're more than a workers' compensation insurance policy provider. We're your partner in driving injury prevention.

RAS has been the endorsed Work Comp carrier for the SD Rural Water Association for over 10 years.



Our association agency partner:

Justin Overman
Marsh & McLennan Agency, LLC
605.339.3874

RASCompanies.com
800.732.1486



203 W. Center Street
P.O. Box 287
Madison, SD 57042
www.sdarws.com

ATC

SOUTH DAKOTA RURAL WATER'S
ANNUAL TECHNICAL CONFERENCE

JANUARY 11-13, 2022

Pierre Ramkota Hotel & Convention Center

**JOIN US FOR THE LARGEST
WATER CONFERENCE IN
SOUTH DAKOTA!**



www.sdarws.com/annual-conference.html